

DARUMA

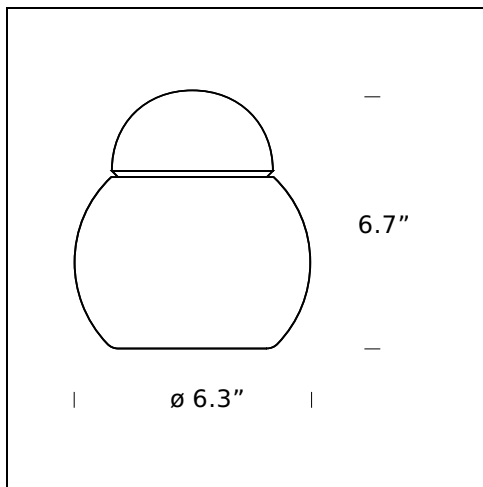
Sergio Asti, 1968

On show at the Museum of Modern Art in New York, Daruma was produced in 1968 to a design by Sergio Asti. Comprising two diffuser elements in glossy white blown glass, this table lamp has simple, formal features: a spherical vase topped by a little lid.



TECHNICAL SHEET

Table lamp. Diffuser and flute in polished white blown glass. Black power cable, plug and switch.



MODEL NAME: Daruma

CODE: U5028

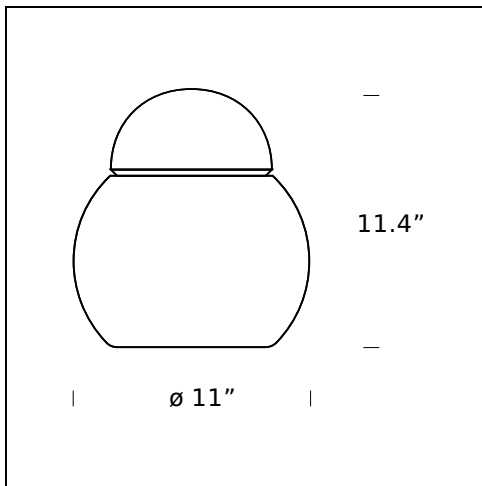
DIMENSION: ø 6.3" × 6.7"

MATERIALS: Glass

LIGHTING SOURCE: 1×25W (IN/FL/LED) B10/E26

PLUG: Black

POWER CORD: Black



MODEL NAME: Daruma

CODE: U5028/3

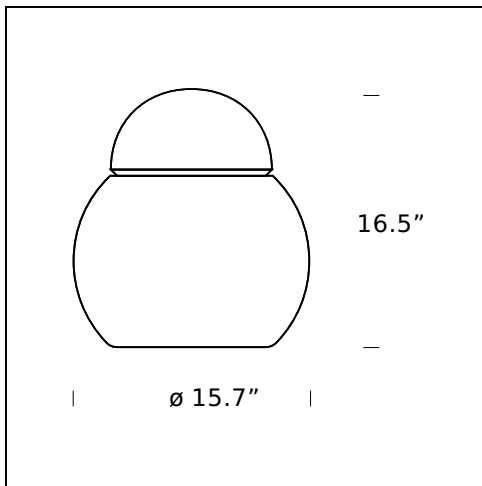
DIMENSION: $\varnothing 11'' \times 11.4''$

MATERIALS: Glass

LIGHTING SOURCE: 1X60W E26

PLUG: Black

POWER CORD: Black



MODEL NAME: Daruma

CODE: U5028/5

DIMENSION: ø 15.7" × 16.5"

MATERIALS: Glass

LIGHTING SOURCE: 1X100W E26

PLUG: Black

POWER CORD: Black

Subject to technical modifications and modifications to content