

# FLÛTE, FLÛTE MAGNUM

Franco Raggi, 1999

A glass cone holds the chromed aluminum reflector, supported by three slender metal rods. Equilibrium and lightness for this family of lamps available in floor and wall versions, for indirect light emission, and in a hanging version, for direct focused light.



## RELATED PRODUCTS



### FLÛTE

*Wall Lamp*

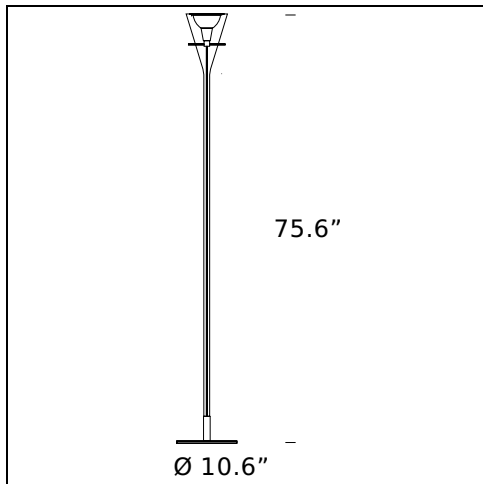


### FLÛTE, FLÛTE MAGNUM

*Suspension Lamp*

**TECHNICAL SHEET**

Floor lamp with dimmer. Transparent borosilicate glass stem. Polished chromed aluminium reflector. Base and reflector support in chromed metal.  
Transparent power cable and dimmer



**MODEL NAME:** Flûte

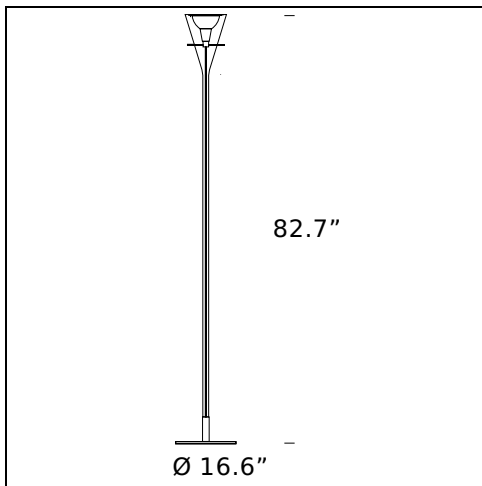
**CODE:** U3300

**DIMENSION:**  $\varnothing$  10.6"  $\times$  75.6"

**MATERIALS:** Glass

**LIGHTING SOURCE:** 1 $\times$ 250W (HA) E26

**DIMMER:** Dimmer



**MODEL NAME:** Flûte Magnum

**CODE:** U3300/1

**DIMENSION:** ø 16.6" × 82.7"

**MATERIALS:** Glass

**LIGHTING SOURCE:** 1×300W (HA) T3/L Double Ended R7s - long H

**DIMMER:** Dimmer

Subject to technical modifications and modifications to content