

FLÛTE

Franco Raggi, 1999

A glass cone holds the chromed aluminum reflector, supported by three slender metal rods. Equilibrium and lightness for this family of lamps available in floor and wall versions, for indirect light emission, and in a hanging version, for direct focused light.

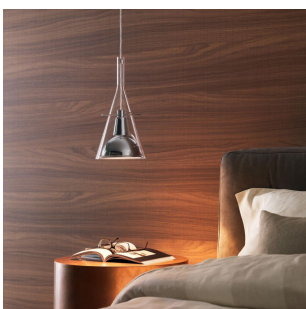


RELATED PRODUCTS



FLÛTE, FLÛTE MAGNUM

Floor Lamp

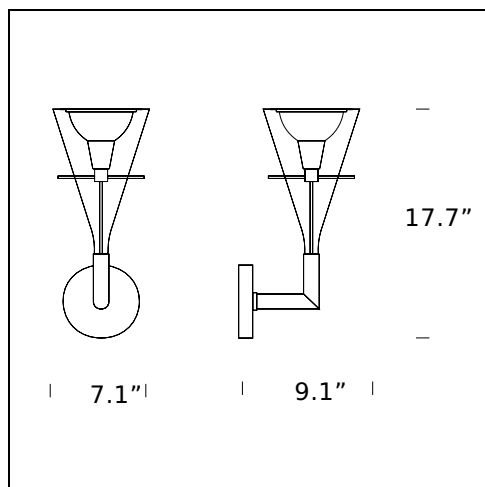


FLÛTE, FLÛTE MAGNUM

Suspension Lamp

TECHNICAL SHEET

Wall lamp. Transparent borosilicate glass body. Reflector in polished chromed aluminium. Chromed metal support.



MODEL NAME: Flûte

CODE: UL3314

DIMENSION: 7.1" × 9.1" × 17.7"

MATERIALS: Glass

LIGHTING SOURCE: 1×150W (HA) E11

CERTIFICATIONS AND SYMBOLS:



Subject to technical modifications and modifications to content