

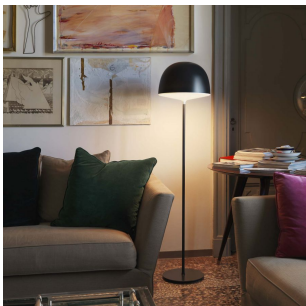
# CHESHIRE

GamFratesi, 2013

It echoes the studio's Nordic imprint in its simplicity and functional aspects. The opaline polycarbonate diffuser ensures soft lighting, while the colored one spreads the light downwards in the table and floor versions or upwards in the hanging model.



## RELATED PRODUCTS



### CHESHIRE

*Floor Lamp*

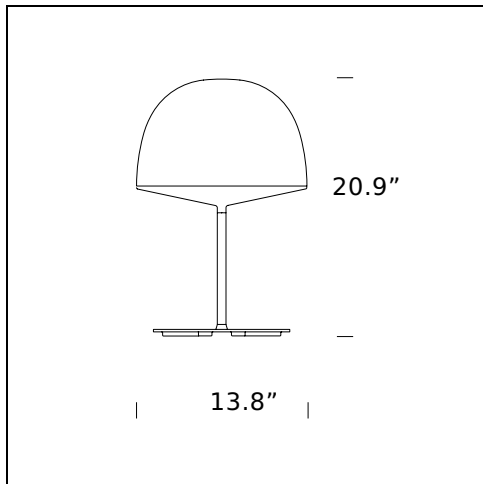


### CHESHIRE

*Suspension Lamp*

**TECHNICAL SHEET**

Table lamp. Shade in polycarbonate, available white, black and green (with stem and base in the same colour) or opaline (with black stem and base). Black cable and plug.



**MODEL NAME:** Cheshire

**CODE:** UL4251..

**DIMENSION:** ø 13.8" × 20.9"

**MATERIALS:** Polycarbonate, Metal

**COLORS**

- Black - RAL Code: RAL 9005 Matt
- Green - RAL Code: RAL 6013 Matt
- White - RAL Code: RAL 9010

**LIGHTING SOURCE:** 1×30W (FL/LED) E26 120V

**PLUG:** Black

**POWER CORD:** Black

**CERTIFICATIONS AND SYMBOLS:**

Subject to technical modifications and modifications to content