

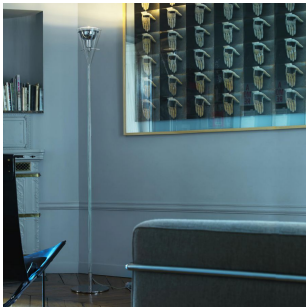
FLÛTE, FLÛTE MAGNUM

Franco Raggi, 1999

A glass cone holds the chromed aluminum reflector, supported by three slender metal rods. Equilibrium and lightness for this family of lamps available in floor and wall versions, for indirect light emission, and in a hanging version, for direct focused light.



RELATED PRODUCTS



FLÛTE, FLÛTE MAGNUM

Floor Lamp

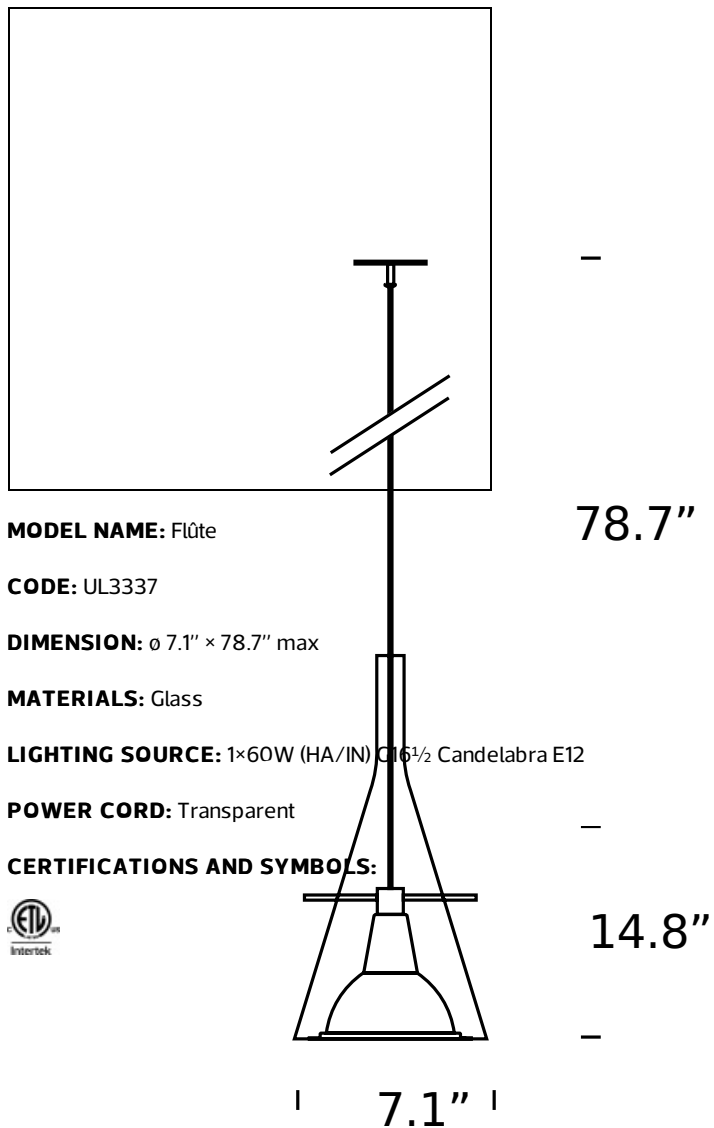


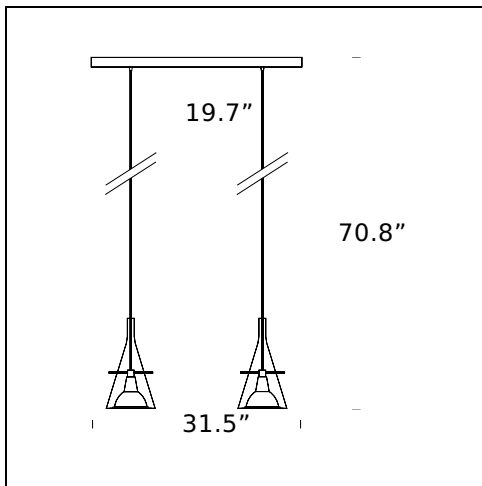
FLÛTE

Wall Lamp

TECHNICAL SHEET

Suspension lamp. Transparent borosilicate glass diffuser. Reflector in polished chromed aluminium. Transparent power cable. Glass cone houses a reflector held by three chromed arms. The light reflects around the cone thus giving constant downward emission.





MODEL NAME: Flûte 2

CODE: UL3337/2

DIMENSION: 7.1" × 31.5" × 70.8" max

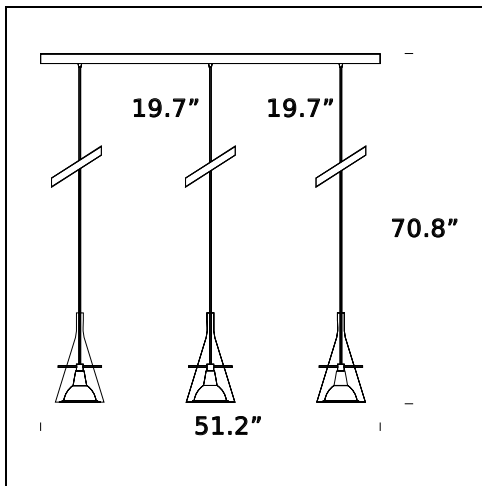
MATERIALS: Glass

LIGHTING SOURCE: 2×60W (HA/IN) G16½ Candelabra E12

POWER CORD: Transparent

CERTIFICATIONS AND SYMBOLS:





MODEL NAME: Flûte 3

CODE: UL3337/3

DIMENSION: 7.1" × 51.2" × 70.8" max

MATERIALS: Glass

LIGHTING SOURCE: 3×60W (HA/IN) G16½ Candelabra E12

POWER CORD: Transparent

CERTIFICATIONS AND SYMBOLS:



Subject to technical modifications and modifications to content