

CLOCHE

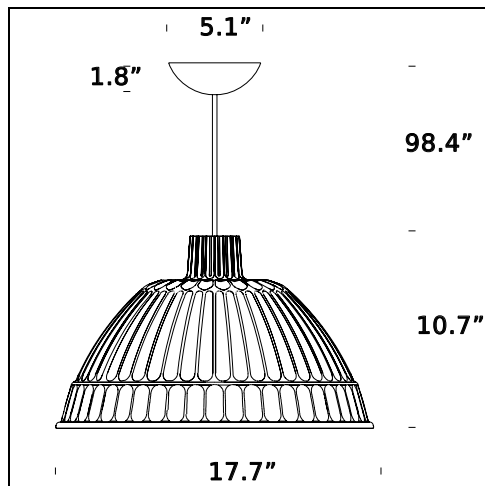
Historical Archive, 1995 - 2014 Edition

Cloche is the makeover of Pudding, the hanging lamp from the FontanaArte Historic Archive designed in 1995. It comes in a range of soft, contemporary colors: pale and dark grey, mustard yellow and translucent white. When this latter version is switched on, the light creates a magical effect that enhances the design of the diffuser.



TECHNICAL SHEET

Hanging lamp. Plastic polymer diffuser, available in pale gray, dark gray, mustard yellow and translucent white. The inside of the lampshade is white. Transparent power cable. Black ceiling rose.



MODEL NAME: Cloche

CODE: UL4260..

DIMENSION: 17,7" x 10,7" + 98,4"

MATERIALS: Plastic polymer

COLORS

- Dark Grey - RAL Code: RAL DESIGN 220 40 05
- Mustard Yellow - RAL Code: RAL DESIGN 080 60 60
- Pale Grey - RAL Code: RAL 7044
- Translucent White

LIGHTING SOURCE: 1x40W (FL/LED) E27

CERTIFICATIONS AND SYMBOLS:



Subject to technical modifications and modifications to content