

LAMPARA

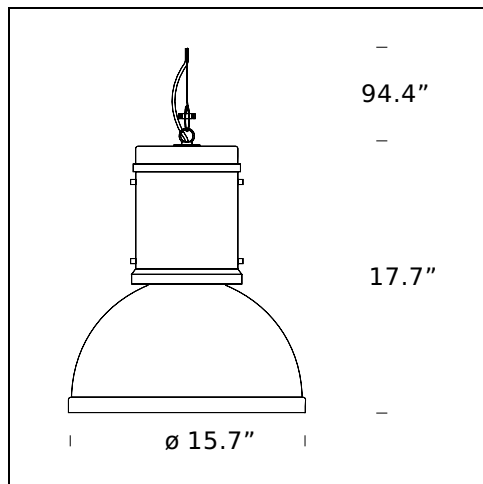
FontanaArte Design Lab, 1965

Reminiscent of industrial architecture, this hanging lamp has a natural or chromed aluminum shade and the reflector is painted white inside.



TECHNICAL SHEET

Suspension lamp. Frame in natural aluminium (RAL 9006). Reflector with white painted interior. Stainless steel suspension cable. Transparent power cable.



MODEL NAME: Lampara

CODE: UL5000/2AN

DIMENSION: 15.7" x 17.7" + 94.4"

MATERIALS: Metal

COLORS

- Aluminum - RAL Code: RAL 9006 Semi Matt
- White

LIGHTING SOURCE: 1x150W (IN) A21 Medium E26/27

POWER CORD: Transparent

CERTIFICATIONS AND SYMBOLS:



Subject to technical modifications and modifications to content