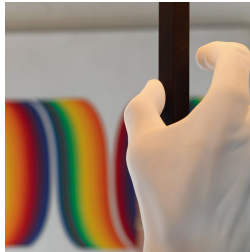


MANO

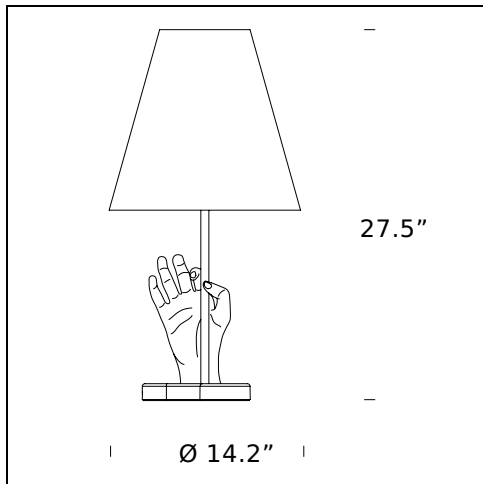
Pietro Chiesa, 1932

This lamp, a trendsetter thanks to its irony and elegance, comprises a base and hand in marble powder and resin and a square section stem in metal. The diffuser is in black fabric



TECHNICAL SHEET

Table lamp with dimmer. Base of marble powder and resin and square section stem in metal, both painted "soft" black matte. Hand in white marble powder and resin. Diffuser in black fabric lined with white PVC.



MODEL NAME: Mano

CODE: U4208

DIMENSION: ø 12.2" x 27.5"

MATERIALS: Marble powder, Metal, Fabric

LIGHTING SOURCE: 1x75W (IN) A19 Medium E26

Subject to technical modifications and modifications to content