

NOBI

Metis Lighting, 1992

In floor, wall and suspension versions, Nobi guarantees total practicality for innovative elegant design. The two bowl-shaped glass discs are held in position by a system of tiny springs and fastened to the metal frame by two pins. In this way the diffuser rotates on itself, directing its halogen beam as required.



RELATED PRODUCTS



NOBI

Floor Lamp

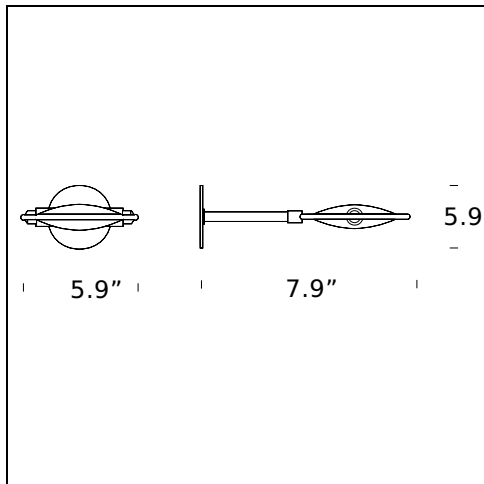


NOBI

Suspension Lamp

TECHNICAL SHEET

Wall lamp. Matte white BI (RAL 9003 matt), chromed CR or nickel-plated satined NS metal frame. Frosted glass diffusers. Anodized aluminium reflectors for indirect beam and spacer for electrical connections are also available.



MODEL NAME: Nobi

CODE: UL3023..

DIMENSION: \varnothing 5.9" \times 7.9" \times 5.9"

MATERIALS: Glass, metal

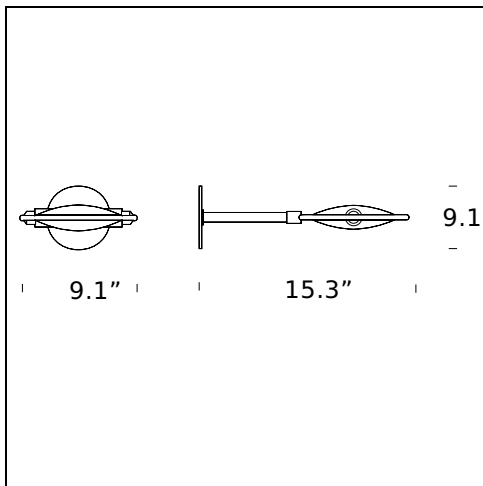
COLORS

- Chrome-Plated
- Nickel-Plated - RAL Code: RAL 9006 Matt
- White

LIGHTING SOURCE: 1 \times 150W (HA) T3/S Double Ended R7s - short

CERTIFICATIONS AND SYMBOLS:





MODEL NAME: Nobi

CODE: UL3356..

DIMENSION: \varnothing 9.1" \times 15.3" \times 9.1"

MATERIALS: Glass, metal

COLORS

- Chrome-Plated
- Nickel-Plated - RAL Code: RAL 9006 Matt

LIGHTING SOURCE: 1 \times 300W (HA) T3/L Double Ended R7s - long

CERTIFICATIONS AND SYMBOLS:



Subject to technical modifications and modifications to content