

RIGA

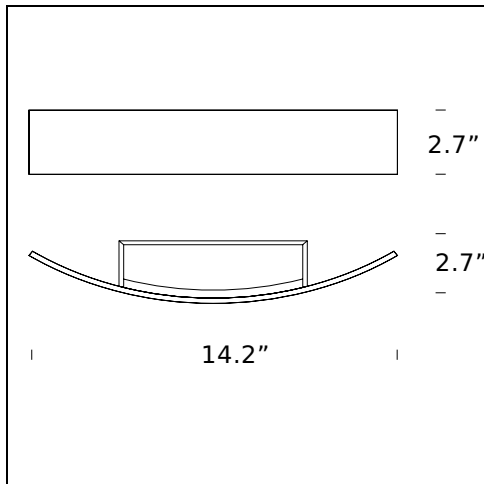
Paolo Zani, 1995

Wall lamp with linear essential design, comprising a structure in metal and diffusers in sandblasted tempered glass. Downlighting and uplighting.



TECHNICAL SHEET

Wall lamp. Frame in polished stainless steel, brushed nickel-plated metal, with antiglare, scratchproof finish in white matt. Tempered sandblasted glass diffusers.



MODEL NAME: Riga

CODE: UL5214..

DIMENSION: 14.2" x 2.7" x 2.7"

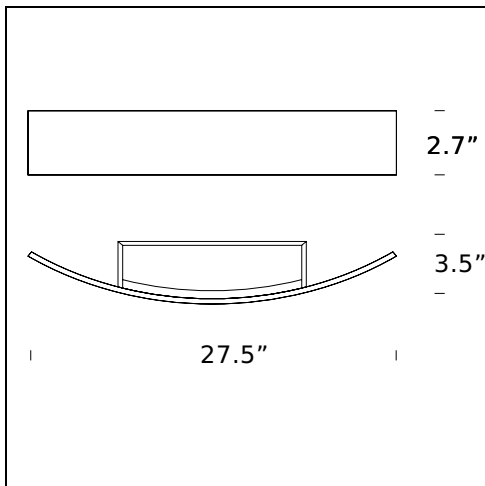
MATERIALS: Metal

COLORS

- Nickel-Plated - RAL Code: RAL 9006 Matt
- Stainless Steel

LIGHTING SOURCE: 1x100W (HA) T3/S Double Ended R7s - short

CERTIFICATIONS AND SYMBOLS:



MODEL NAME: Riga

CODE: UL5214/1..

DIMENSION: 27.5" x 3.5" x 2.7"

MATERIALS: Metal

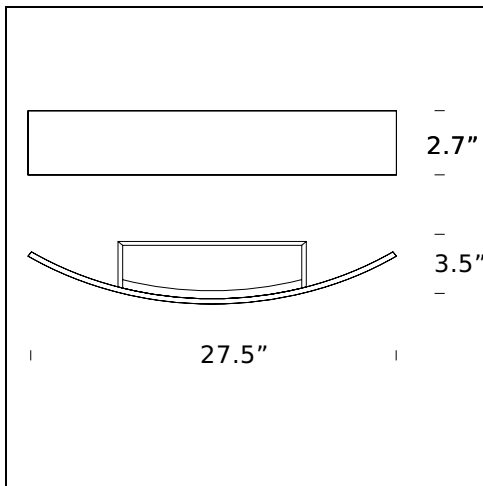
COLORS

- Nickel-Plated - RAL Code: RAL 9006 Matt
- Stainless Steel

LIGHTING SOURCE: 2x100W (HA) T3/S Double Ended R7s - short

CERTIFICATIONS AND SYMBOLS:





MODEL NAME: Riga

CODE: UL5244..

DIMENSION: 27.5" x 3.5" x 2.7"

MATERIALS: Metal

COLORS

- Nickel-Plated - RAL Code: RAL 9006 Matt
- Stainless Steel

LIGHTING SOURCE: 2x60W (IN) B10 Medium E26/27 or 2x14W (FL) Triple Tube Medium E26/27

CERTIFICATIONS AND SYMBOLS:



Subject to technical modifications and modifications to content