

SCINTILLA

Livio Castiglioni, Piero Castiglioni, 1972

The absolutely novel Scintilla system combines the essential versatility of a decorative lamp and a lighting capacity comparable to a technical system. The great success of this system persuaded the company to design a free-standing version in the early eighties, with the main structure fastened to the base and stem in metal.



RELATED PRODUCTS

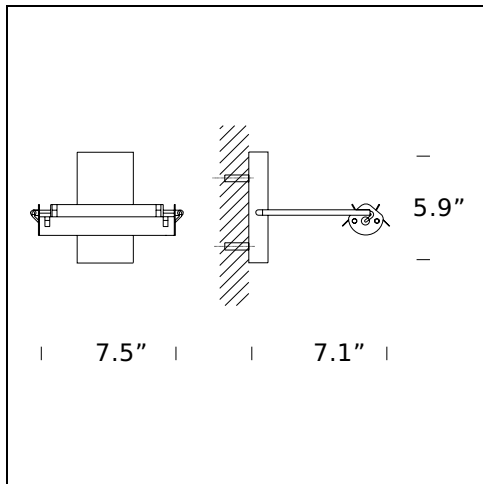


SCINTILLA

Suspension Lamp

TECHNICAL SHEET

Wall lamp. Chromed CR, satined nickel-plated NS or white-painted BI steel frame and wall bracket. Sandblasted transparent borosilicate glass shields.



MODEL NAME: Scintilla

CODE: ULAT1P300CR

DIMENSION: 7.5" × 7.1" × 5.9"

MATERIALS: Metal

COLORS

● Chrome-Plated

LIGHTING SOURCE: 1×300W (HA) T3/L Double Ended R7s - long H

CERTIFICATIONS AND SYMBOLS:



ACCESSORIES

REFLECTOR CODE - RAT/P150..

Reflector 15x6x13 cm

Subject to technical modifications and modifications to content