

SCINTILLA

Livio Castiglioni, Piero Castiglioni, 1972

The absolutely novel Scintilla system combines the essential versatility of a decorative lamp and a lighting capacity comparable to a technical system. The great success of this system persuaded the company to design a free-standing version in the early eighties, with the main structure fastened to the base and stem in metal.



RELATED PRODUCTS

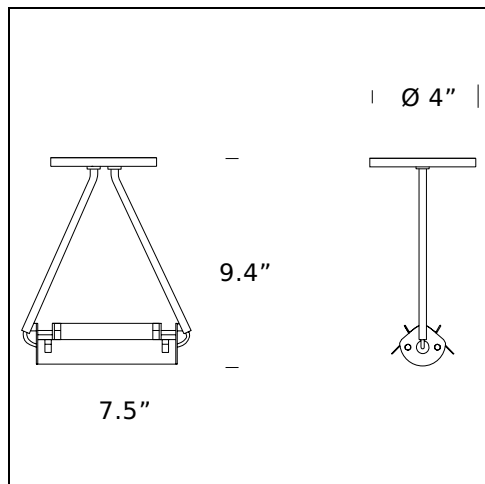


SCINTILLA

Wall Lamp

TECHNICAL SHEET

Suspension lamp. Chromed CR, satined nickel-plated NS or white BI finish frame. The lamp features transparent sandblasted borosilicate glass shields and a spacer for electrical connections. Optional reflector for indirect beam.



MODEL NAME: Scintilla

CODE: ULAT1S300CR

DIMENSION: 7.5" × 1.8" × 9.4"

MATERIALS: Glass, metal

COLORS

● Chrome-Plated

LIGHTING SOURCE: 1×300W (HA) T3/L Double Ended R7s - long H

CERTIFICATIONS AND SYMBOLS:



ACCESSORIES

REFLECTOR CODE - RAT/F/S150

Reflector 14x6,5x16 cm

Subject to technical modifications and modifications to content