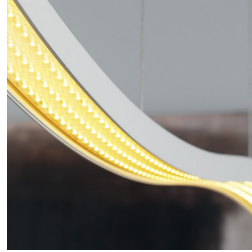


SERPENTINE

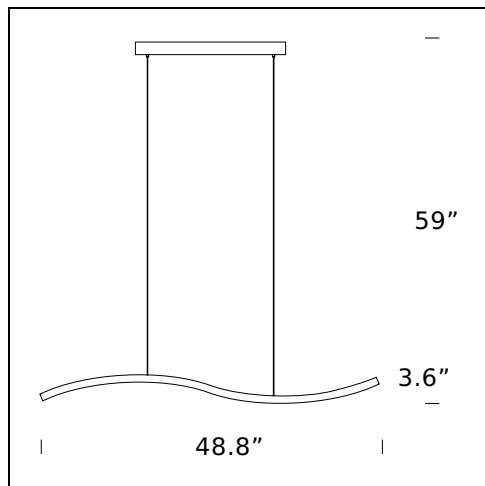
Gabi Peretto, 2011

A luminous wave floating in space and bringing life to unprecedented lighting effects. 364 Leds in the underside of the lamp guarantee a surprising result in terms of light and movement.



TECHNICAL SHEET

Suspension lamp. Curved extruded aluminium frame with white finish. Transparent lengthadjustable power/ suspension cables housed in raceway; keyhole body balancing system. Methacrylate pinwale shield. Direct beam.



MODEL NAME: Serpentine

CODE: UL4175BI

DIMENSION: 48.8" × 3.6" × 1" + 59" cable

MATERIALS: Aluminium

LIGHTING SOURCE: 315 - 20W (3500 K, CRI 80, 1700Lm) LED

CERTIFICATIONS AND SYMBOLS:



Subject to technical modifications and modifications to content