

# TAVOLINO 1932

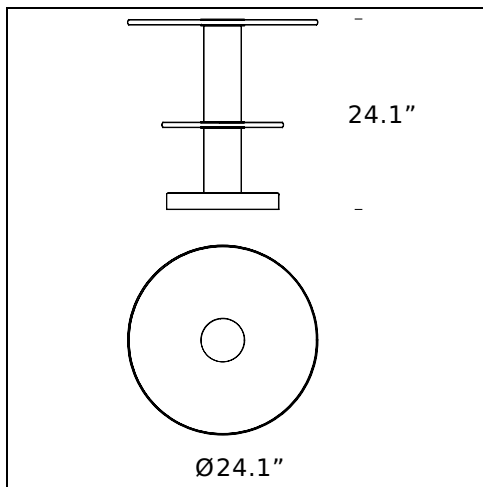
Gio Ponti, 1932

This coffee table was designed by Gio Ponti and is made from two discs in float glass, 15 mm thick. The structure is in brushed nickel-plated brass.



**TECHNICAL SHEET**

Coffee table made from two 0.6" mm discs of float glass. Frame in polished nickel-plated metal.



**MODEL NAME:** Tavolino 1932

**CODE:** 2747

**DIMENSION:** Ø 24.1" x 24.1"

**MATERIALS:** Glass

Subject to technical modifications and modifications to content