

TUBO LED

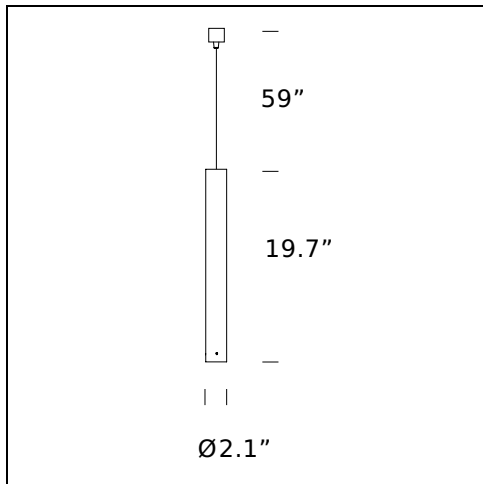
FontanaArte Design Lab, 2011

Simplicity and linearity conveyed by a cylinder suspended in clear borosilicate glass. When switched on, the light is the undisputed main player.



TECHNICAL SHEET

Suspension lamp. Transparent borosilicate glass body housing a natural anodized finned metal dissipator for enhanced dissipation of heat produced by the light source. Transparent heightadjustable power cable. Electronic ballast included



MODEL NAME: Tubo Led

CODE: UL4138..

DIMENSION: $\varnothing 2.1" \times 19.7" + 59"$

MATERIALS: Glass

LIGHTING SOURCE: 1 - 14W LED (2700 K, CRI>85, 1000Lm)

CERTIFICATIONS AND SYMBOLS:



Subject to technical modifications and modifications to content