

SILLABA

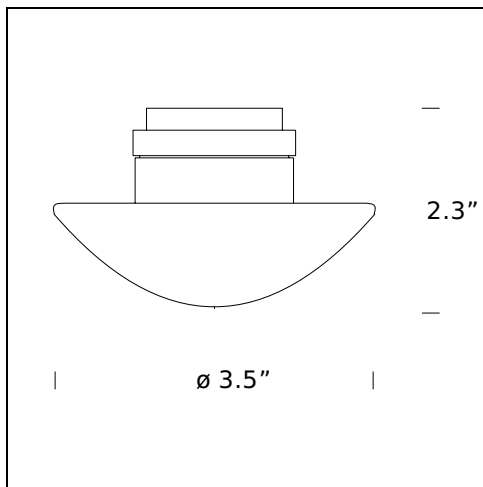
Piero Castiglioni, 1988

Designed for either wall or ceiling installation, Sillaba combines discretion and pureness, furnishing any room with its minimal presence.



TECHNICAL SHEET

Low voltage wall and ceiling lamp. High heat-resistant technopolymer frame. Heatresistant sandblasted glass diffuser.



MODEL NAME: Sillaba

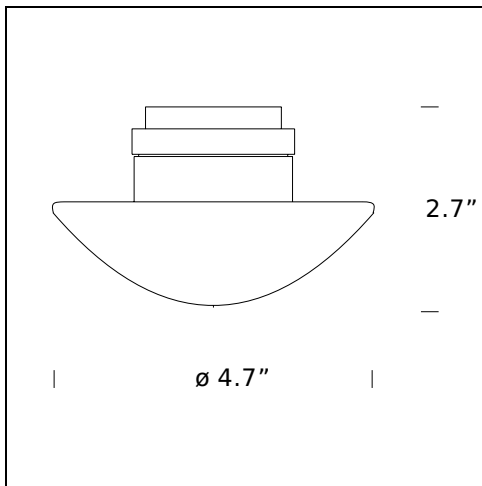
CODE: UL2775/2G

DIMENSION: \varnothing 3.5" x 2.3"

MATERIALS: Glass, metal

LIGHTING SOURCE: 1x20W 12V (HA) T4 Bi Pin 6,35 (remote transformer needed)

CERTIFICATIONS AND SYMBOLS:



MODEL NAME: Sillaba

CODE: UL2775/5G

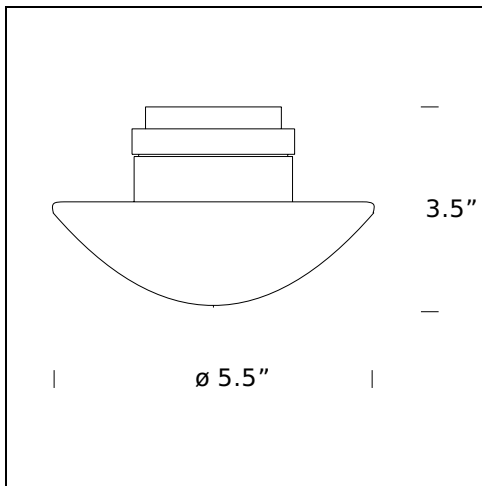
DIMENSION: \varnothing 4.4" x 2.7"

MATERIALS: Glass, metal

LIGHTING SOURCE: 1x35W 12V (HA) T4 Bi Pin 6,35 (remote transformer needed)

CERTIFICATIONS AND SYMBOLS:





MODEL NAME: Sillaba

CODE: UL2775/712G

DIMENSION: ø 5.5" x 3.5"

MATERIALS: Glass, metal

LIGHTING SOURCE: 1x60W 120V (HA) T4 G9

CERTIFICATIONS AND SYMBOLS:



Subject to technical modifications and modifications to content