

# VERTIGO

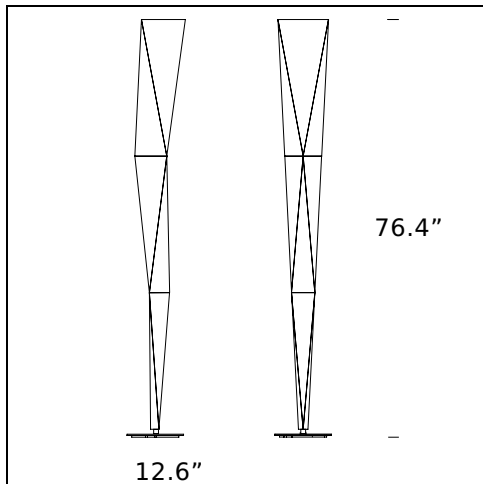
Marco Acerbis, 2005

This indirect light floor lamp with its distinctive sharp corners and edges is the result of folding a fine sheet of aluminum. The structure is mounted on a steel base and can be rotated 320°.



**TECHNICAL SHEET**

Indirect beam floor lamp with dimmer. Folded mirror-polished aluminum sheet frame, white or black finish. Steel base in matteblack finish. The frame rotates 320° horizontally. Black power cable, dimmer and plug.



**MODEL NAME:** Vertigo

**CODE:** U5531

**DIMENSION:** ø 12.6" x 76.4"

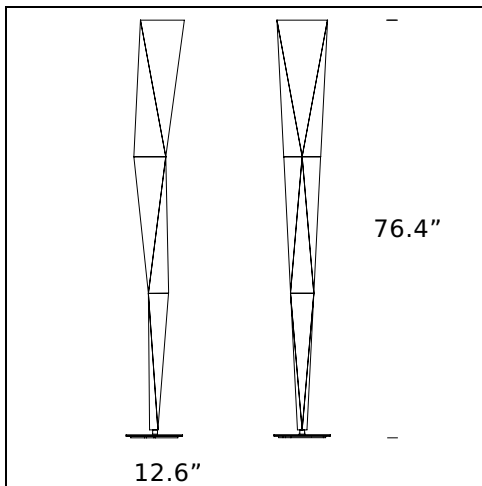
**MATERIALS:** Metal

**COLORS**

● Mirror-Finish

**LIGHTING SOURCE:** 1x300W (HA) T3/L Double Ended R7s - long

**POWER CORD:** Black



**MODEL NAME:** Vertigo

**CODE:** U5531..

**DIMENSION:**  $\varnothing$  12.6" x 76.4"

**MATERIALS:** Metal

**COLORS**

● Black

○ White

**LIGHTING SOURCE:** 1x300W (HA) T3/L Double Ended R7s - long

**POWER CORD:** Black

Subject to technical modifications and modifications to content