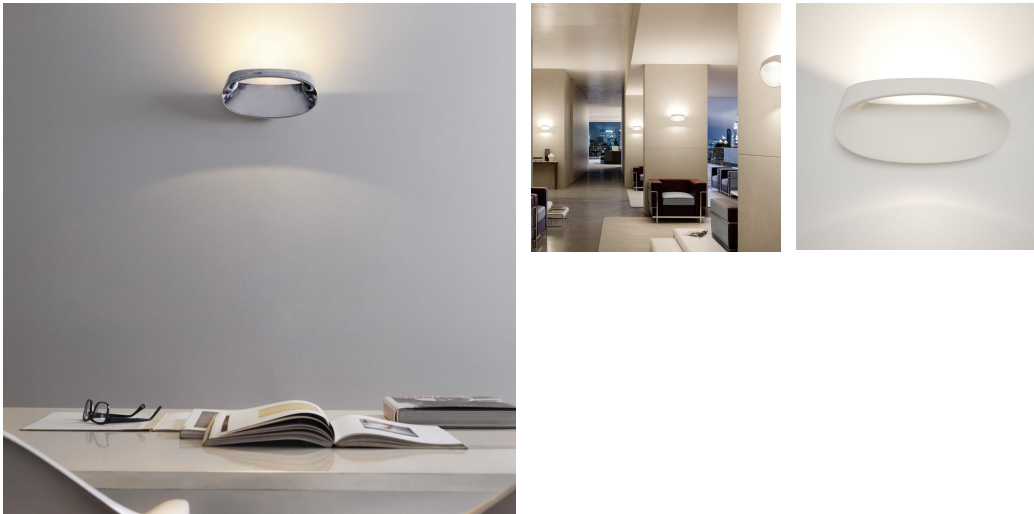


# BONNET

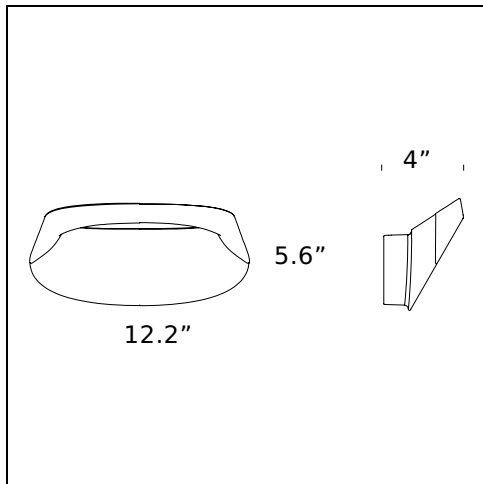
Odo Fioravanti, 2014

With its elegant sinuous shape, Bonnet is the new LED lamp that reworks the concept of indirect lighting. The top part conceals a small yet very powerful LED source whose ray of light is mainly directed upwards onto the wall and ceiling. The designer also wanted to play with the parasite light that is normally lost, recuperating it with a lens and directing it downwards. In this way, Bonnet not only lights itself up but also produces a downwards glow. The materials and technologies used are some of the most advanced on today's lighting market and include die-cast aluminium alloys with a low silicon content that enable any kind of surface finish, clear technopolymers with very high refractive indexes and new-gen electronic light management technologies.



**TECHNICAL SHEET**

Wall lamp. Body in die-cast aluminum, available in polished aluminum or white (RAL 9010 ). Thanks to a special surface treatment, the latter can be directly painted by the client.



**MODEL NAME:** Bonnet

**CODE:** U4248..

**DIMENSION:** 12.2" × 5.6" × 4"

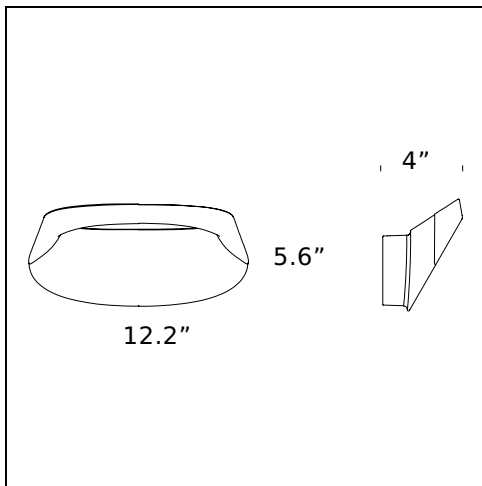
**MATERIALS:** Metal

**COLORS**

White - RAL Code: RAL 9010

**LIGHTING SOURCE:** LED COB 18W (2700 K, CRI 80, 2050 Lm)

**CERTIFICATIONS AND SYMBOLS:**



**MODEL NAME:** Bonnet

**CODE:** U4318..

**DIMENSION:** 12.2" × 5.6" × 4"

**MATERIALS:** Aluminium

**COLORS**

White - RAL Code: RAL 9010

**LIGHTING SOURCE:** LED COB 18W (3000 K, CRI 80, 2150 Lm)

**CERTIFICATIONS AND SYMBOLS:**



Subject to technical modifications and modifications to content