

CHESHIRE

GamFratesi, 2013

It echoes the studio's Nordic imprint in its simplicity and functional aspects. The opaline polycarbonate diffuser ensures soft lighting, while the colored one spreads the light downwards in the table and floor versions or upwards in the hanging model.

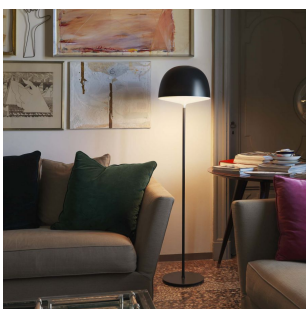


RELATED PRODUCTS



CHESHIRE

Table Lamp

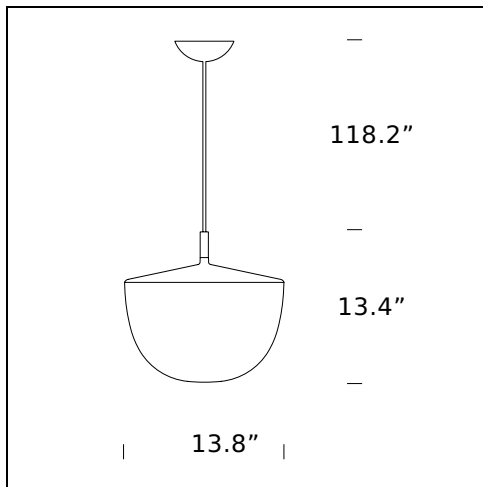


CHESHIRE

Floor Lamp

TECHNICAL SHEET

4257../4316.. Suspension. Opal polycarbonate lampshade. Upper diffuser in polycarbonate. Upper diffuser, canopy and stem white BI (RAL 9010 matt), black N (RAL 7021 matt) or green V (RAL 6013 matt). Clear power cable for the white version, in the same colour as the lampshade for the other versions. 4257/4316 Suspension lamp. Shade and upper diffuser in opal polycarbonate. White canopy and stem. Clear power cable.



MODEL NAME: Cheshire

CODE: UL4257..

DIMENSION: ø 13,8" × 13,4" + 118,2"

MATERIALS: Polycarbonate, Metal

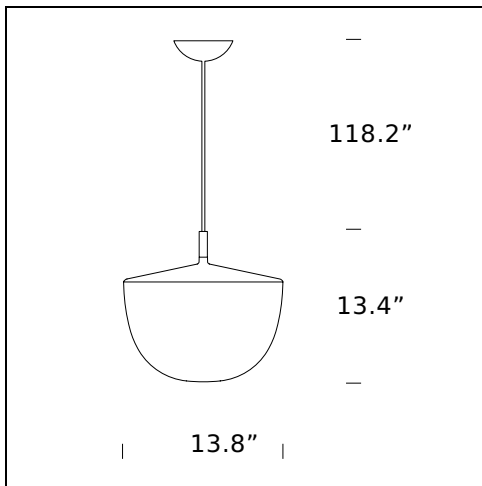
COLORS

- Black - RAL Code: RAL 7021 Matt
- Green - RAL Code: RAL 6013 Matt
- White - RAL Code: RAL 9010

LIGHTING SOURCE: 3×23W (FL) E26

CERTIFICATIONS AND SYMBOLS:





MODEL NAME: Cheshire

CODE: UI4257

DIMENSION: \varnothing 13,8" \times 13,4" + 118,2"

MATERIALS: Polycarbonate, Metal

COLORS

● Opaline

LIGHTING SOURCE: 3 \times 23W (FL) E26

CERTIFICATIONS AND SYMBOLS:



Subject to technical modifications and modifications to content