

SLOT

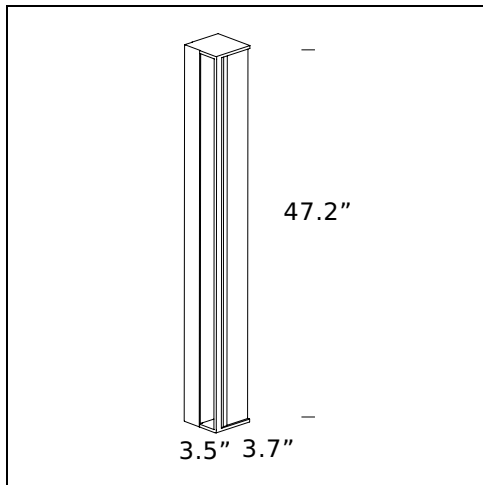
David Chipperfield, 2005

A series of recessed lamps for walls or ceilings that give indirect light. The structure is in matt white epoxy powder-coated metal and houses one or more fluorescent lamps. Its essential design creates a luminous effect similar to a blade of light on the wall.



TECHNICAL SHEET

Series of recessed wall or ceiling lamps for indirect light emission. Matte white epoxy powder-coated metal frame housing fluorescentbulbs. A cover held in place by neodymium magnets makes the fixture easy to assemble and maintain. The minimal design creates a lighting effect similar to a spotlight beam on a wall. This makes Slot especially suitable for private and public spaces that require non-invasive yet decorative lighting effects. Slot must be mounted with its housing. For correct installation the lamp includes a 4mm-slit on all 4 sides.



MODEL NAME: Slot

CODE: ULSP3749/2

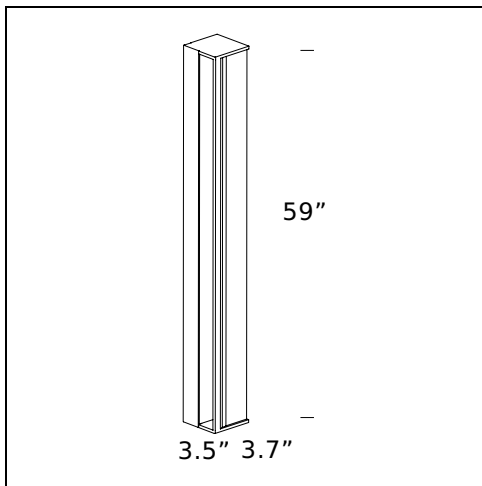
DIMENSION: 3.5" × 3.7" × 47.2"

MATERIALS: Metal

LIGHTING SOURCE: 1×28W (FL) G5

CERTIFICATIONS AND SYMBOLS:





MODEL NAME: Slot

CODE: ULSP3749/3

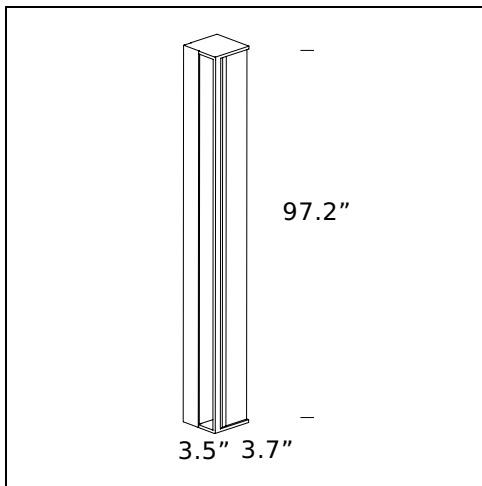
DIMENSION: 3.5" × 3.7" × 59.0"

MATERIALS: Metal

LIGHTING SOURCE: 1×35W (FL) G5

CERTIFICATIONS AND SYMBOLS:





MODEL NAME: Slot

CODE: ULSP3749/4

DIMENSION: 3.5" × 3.7" × 97.2"

MATERIALS: Metal

LIGHTING SOURCE: 1×35W (FL) G5 + 1×28W (FL) G5

CERTIFICATIONS AND SYMBOLS:



COMPONENTS

HOUSING FOR MODEL 3749 CODE - 3750

Housing for plasterboard 10x10,5x61 cm

Subject to technical modifications and modifications to content