

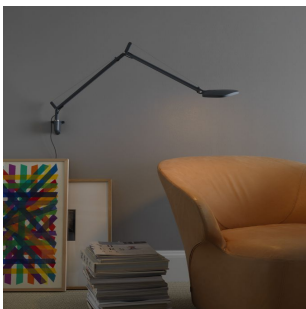
VOLÉE

Odo Fioravanti, 2015

Volée is a Led luminaire of the latest generation, in which the formal research is combined with technological innovation. Featured by an essential design, Volée switches on with an almost tennis-style gesture: a simple wave of the hand under the head of this lamp activates an electronic device that switches the light on or off without any contact. A touch sensor over the head allows the flow of light to be regulated to four different levels of intensity (40%, 60%, 100%, 0%). A Time Out system automatically switches the lamp off after it has been on for 5 hours. The lamps consists of a head and of structural rods in extruded aluminum and joints in die-cast aluminum. The tension for the hidden-spring balancing mechanisms is provided by steel wires that allow to orientate the light emission with a fluid movement. Available in four different finishes with matt paint in white, anthracite grey and fluorescent yellow, Volée is suitable for every kind of environment, both modern and traditional.



RELATED PRODUCTS

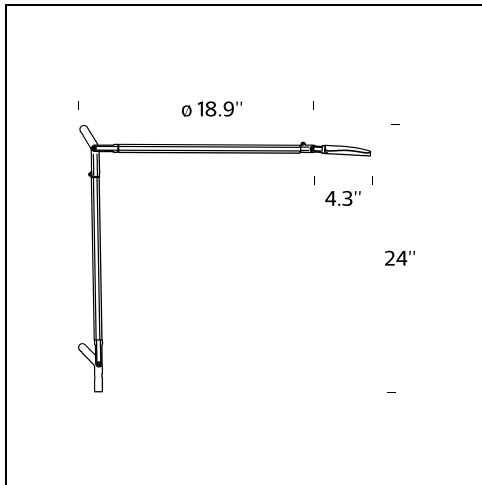


VOLÉE

Wall Lamp

TECHNICAL SHEET

Table, floor and wall lamp with direct light emission and adjustable head. Body in extruded aluminium, head in die cast aluminium, joints in die-cast aluminium and mechanical wires in steel. Provided with base for table, clamp and wall mounting to be combined with the body, available anthracite grey, white and fluorescent yellow. A simple wave of the hand under the head of the lamp activates an electronic device that switches the light on or off without any contact (touchless). A touch sensor over the head allows the flow of light to be regulated to four different levels of intensity (0%, 40%, 60%, 100%). A Time Out system automatically switches the lamp off after it has been on for 5 hours. Once the lamp is switched off, it keeps the last light intensity used. The lamp is supplied with multiple plug. Black power cable, ballast on cable and plug.



MODEL NAME: Volée

CODE: 4286..

MATERIALS: Aluminium

COLORS

● Anthracite Grey - RAL Code: RAL 7024 Matt

● Fluorescent Yellow

○ White - RAL Code: RAL 9016 Matt

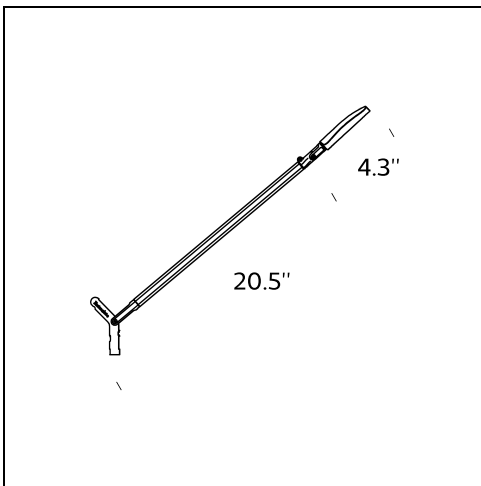
LIGHTING SOURCE: LED - 7,5W (2700 K, CRI >90, 800 Lm)

PLUG: Black multiplug

POWER CORD: Black

DIMMER: Touch dimmer

CERTIFICATIONS AND SYMBOLS:



MODEL NAME: Demi Volée

CODE: 4289..

MATERIALS: Aluminium

COLORS

- Anthracite Grey - RAL Code: RAL 7024 Matt
- Fluorescent Yellow
- White - RAL Code: RAL 9016 Matt

LIGHTING SOURCE: LED - 7,5W (2700 K, CRI >90, 800 Lm)

PLUG: Black multiplug

POWER CORD: Black

DIMMER: Touch dimmer

CERTIFICATIONS AND SYMBOLS:

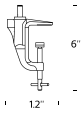


COMPONENTS



BASE FOR TABLE CODE - 4290..

Base for table, available light grey, anthracite grey, white and fluorescent yellow (size 7" x 7")



CLAMP CODE - 4288..

Clamp for table, available light grey, anthracite grey, white and fluorescent yellow (size 1.2" x 6")

Subject to technical modifications and modifications to content