

KINX

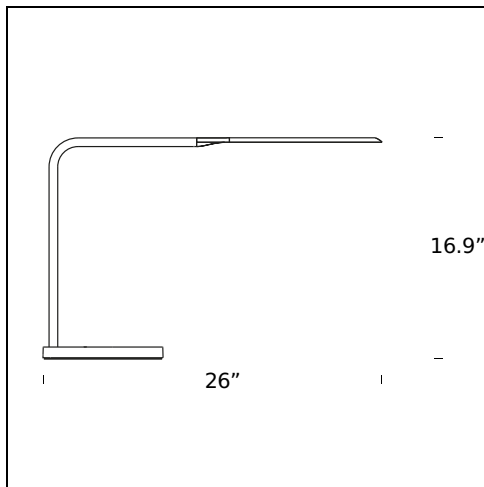
Karim Rashid, 2015

Kinx is a table lamp that is the almost symbiotic union of design and practicality. The head is a loop of lumens with dimmable Leds. Easy to handle and adjust into the position desired, it is an article thought up to bring cheer and lightness. The light beam is electronically managed - On/Off Dim with blue optical actuator and signal point. The lamp is provided with USB port (1A - 5V) for charging smartphones and tablets.



TECHNICAL SHEET

Table lamp. Head in aluminum alloy and base in zama alloy, both die cast; diffuser made of polymer. Driver on cable with multiple and "plug&play" power cord, both black. ON/OFF control and dimmer on the base. The lamp is provided with USB port (1A - 5V) for charging cellular devices. Available in black, white and pink.



MODEL NAME: KINX

CODE: 4312..

DIMENSION: 26" x 16.9" x 5.9"

MATERIALS: Aluminum

COLORS

- Black - RAL Code: RAL 9005 Matt
- Pink - RAL Code: RAL 4003 Matt
- White

LIGHTING SOURCE: 7,5W LED (2700 K, CRI>80, 940 Lm)

Subject to technical modifications and modifications to content