

BIANCA

Matti Klenell, 2015

Bianca is a family of luminaires equipped with a fixed-mould blown cased glass diffuser with a milky white satin finish. The decoration on the diffuser surface features an orderly series of shallow delicate grooves etched into the white glass, yielding an effect resembling small footprints on fresh snow. Mouth blown, belt sanded and dipped in acid to obtain the distinctive 'silk effect' typical of fine glassware, Bianca diffusers are available in three different diameters to complete all thirteen types of luminaires belonging to the family. The largest diffuser has a 50 cm diameter and, owing to its dimensions and the amount of glass involved, continues to pose a considerable challenge even for the ablest of glassblowers trained in the fixed-mould blowing technique, which – according to the traditional Venetian production process – is performed without any external aids for turning and shaping the glass blob inside the mould, but relies solely on the glassblower's skill and lung capacity. Bianca is available in the following versions: table-top without stem, floor-standing with base and stem, pendant, wall-mounted and ceiling-mounted. The matt white coating applied to the various metal supports evokes the name and colour of the diffuser. The Small- and Medium-sized versions (with 16 cm and 30 cm diameter respectively) mount a dimmable Led board, while the Large-sized version (50 cm diameter) features an E27 lamp holder capable of housing various types of light sources. Bianca produces a very warm, diffuse and enveloping light emission in the surrounding environment.



RELATED PRODUCTS



BIANCA

Wall and Ceiling Lamp



BIANCA

Suspension Lamp



BIANCA

Floor Lamp

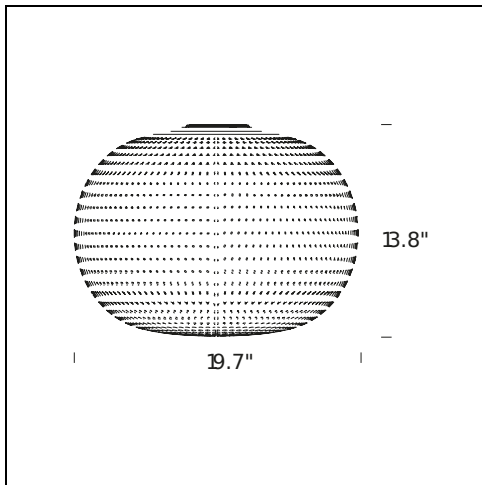


BIANCA

Table Lamp

TECHNICAL SHEET

Ceiling lamp. Glass diffuser made of milky white cased glass, blown and satin-finished. White metal mount.



MODEL NAME: Bianca Large

CODE: U4328/1BI

DIMENSION: Ø 19.7x13.8"

MATERIALS: Glass

COLORS

○ White

LIGHTING SOURCE: 1x150W E26 (IN/HA/FL/LED) 110V

CERTIFICATIONS AND SYMBOLS:

Subject to technical modifications and modifications to content