

# EQUATORE

Gabriele e Oscar Buratti, 2017

Equatore is a contemporary reinterpretation of the classic lamp with a glass shade. While the traditional abat-jour uses the shade to contain the light source within, in this family of lamps the shade is paradoxically and suggestively empty, with the light being generated by two luminous discs placed inside a central metal band, visible on the shade, that evokes the line of the equator. The light produced by the Leds, thanks to internal screens arranged in layers, is distributed regularly across the surface of the discs, magically illuminating them. The lower disk directs the light output downward, the upper one illuminates the glass cap for a soft, diffused light. Available in table, floor and ceiling models, in two sizes and two colors: a cooler version in gray with a dark chrome frame, and a warmer version with a transparent dove gray cap and a copper-colored frame.



## RELATED PRODUCTS



### **EQUATORE**

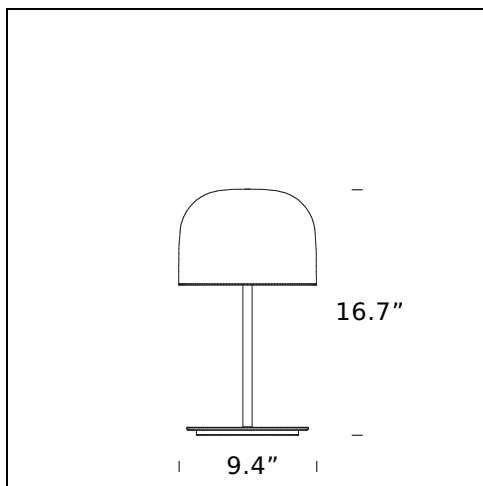
*Floor Lamp*



### **EQUATORE**

*Suspension Lamp*

## TECHNICAL SHEET



**MODEL NAME:** Equatore

**CODE:** 4389/0..

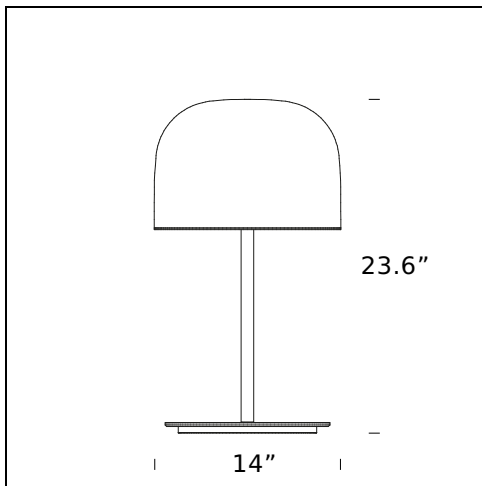
**DIMENSION:**  $\varnothing$  9.4"  $\times$  16.7"

**MATERIALS:** Glass

**COLORS**

- Black Chrome
- Copper

**LIGHTING SOURCE:** 25W LED ( 2700 K, CRI>90, 2900 Lm)



**MODEL NAME:** Equatore

**CODE:** 4389..

**DIMENSION:**  $\varnothing$  14"  $\times$  23.6"

**MATERIALS:** Glass

**COLORS**

● Black Chrome

● Copper

**LIGHTING SOURCE:** 40W LED (2700 K, CRI>90, 4500 Lm)

Subject to technical modifications and modifications to content