

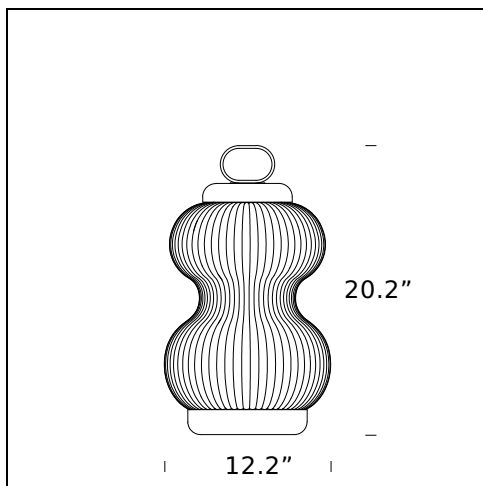
KANJI

Denis Guidone, 2017

Kanji is a family of lighting elements that reinterprets traditional Oriental portable lanterns in a contemporary key. Available in tabletop and ceiling models, it draws inspiration from Chinese porcelain from the Ming dynasty. The hand-blown glass diffuser, in frosted white and translucent smoke, is adorned with a pleated surface decoration. A Led ring runs inside the structure and magically illuminates the diffuser. Evocative of the Far East not only in form but in name (kanji are characters of Chinese origin used in Japanese writing in conjunction with the hiragana and katakana syllabaries), it is designed to be used alone or in pairs, with each form amplifying the aesthetic power of the other.



TECHNICAL SHEET



MODEL NAME: Kanji

CODE: 4385NN/..

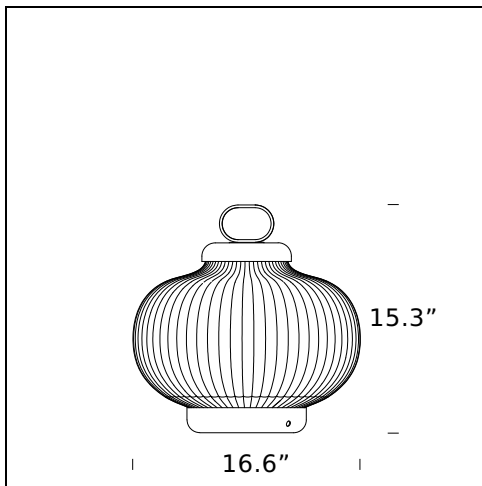
DIMENSION: \varnothing 12.2" \times 20.2"

MATERIALS: Metal, glass

COLORS

- Grey Fumè
- White

LIGHTING SOURCE: 10W LED (2700 K, CRI>90, 900 Lm)



MODEL NAME: Kanji

CODE: 4387NN/..

DIMENSION: \varnothing 16.8" x 15.3"

MATERIALS: Metal, glass

COLORS

● Grey Fumè

○ White

LIGHTING SOURCE: 10W LED (2700 K, CRI>90, 900 Lm)

Subject to technical modifications and modifications to content