

BILIA (LED)

Gio Ponti, 1932

Nothing more than a sphere, set in an apparently impossible feat of balance, upon a cone that serves as the base. One of Gio Ponti's many compositional magic tricks. The counterbalancing of two elementary geometric forms results in an original, perfectly proportioned object. The light is diffused and valorized by the geometrical simplicity of the design. Originally in brushed nickel plate, Bilia is now also available with a brass cone and Led light source.



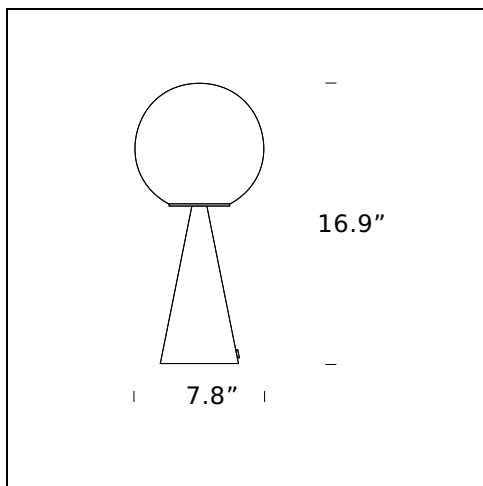
RELATED PRODUCTS



BILIA

Table Lamp

TECHNICAL SHEET



MODEL NAME: Bilia (Led)

CODE: 440200

DIMENSION: \varnothing 7.8" \times 16.9"

MATERIALS: Glass, metal

LIGHTING SOURCE: 9W (2700 K, CRI >80, 950 Lm)

Subject to technical modifications and modifications to content