

GIOVA (LED)

Gae Aulenti, 1964

Giova marks the debut of Gae Aulenti in the field of lighting design. Available in two sizes, it is both a lamp and a luminous sculpture. Positioned on a metal base is a transparent bowl containing a sphere of white opal glass, which in turn houses the light source. Placed above is a smaller bowl in blown pulegoso glass, meaning 'with irregular bubbles', which serves as a flower vase. Now also available with gray pulegoso glass and a gold-finished base.



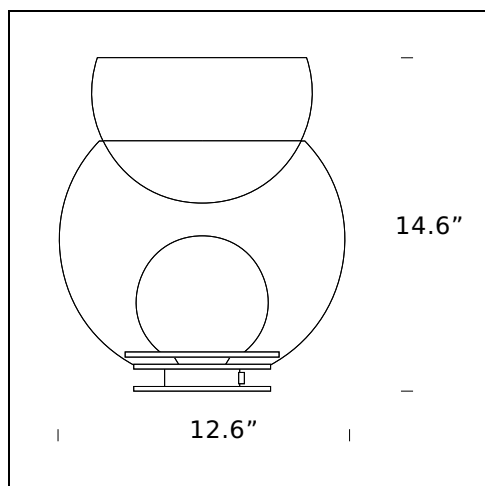
RELATED PRODUCTS



GIOVA

Table Lamp

TECHNICAL SHEET



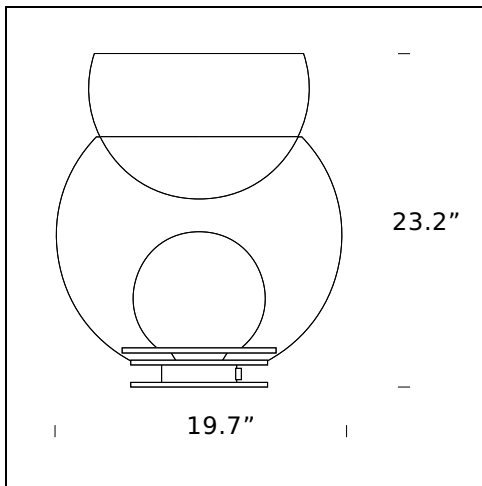
MODEL NAME: Giova (Led)

CODE: U268400

DIMENSION: \varnothing 12.6" \times 14.6"

MATERIALS: Glass

LIGHTING SOURCE: 1x60W LED E26



MODEL NAME: Giova (Led)

CODE: U2684/100

DIMENSION: \varnothing 19.7" \times 23.2"

MATERIALS: Glass

LIGHTING SOURCE: 1x75W LED E26

Subject to technical modifications and modifications to content