

SETAREH

Francesco Librizzi, 2017

This is the name of the family of lighting fixtures that Francesco Librizzi, a young Sicilian architect working in Milan, has designed for the first time for FontanaArte. Setareh was born of the idea of giving form to light. The lamp is composed of a sphere in hand-blown white satin glass, magically suspended within a thin metal structure. The play of circular masses and trajectories generates a balanced design of gravitational dynamics. The light from the sphere is diffused into the surrounding space, illuminating the frame. The reflections of the metal render the luminous field visible, space influenced by light, by its aura.

The result is a collection of lighting elements, available in tabletop and suspension versions, of extraordinary poetic grace. The suspension version comes in several variants: bare, with only the frame and glass sphere (also available with three spheres), with a diffuser in curved white glass (diameter 45, 65, 85 cm), or with a painted metal disc in white or black (diameter 45, 65, 85, 100 cm).

Setareh takes on new dimensions: elongated, with either two or three spherical elements that work separately or together. Its vocation is the illumination of large spaces, with double-height ceilings or otherwise ample enough to accommodate expansive compositions of multiple elements. A firmament of Setareh, 'star' in the ancient Farsi language.



RELATED PRODUCTS

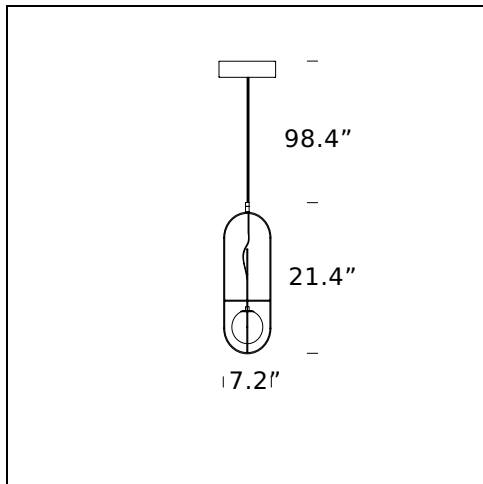


SETAREH

Table Lamp

TECHNICAL SHEET

Structure in gold or chromed metal. Sphere in white satin blown glass. The ceiling version comes bare, or with a white or black shade, or with a white or black metal disc.



MODEL NAME: Setareh

CODE: U4380..

DIMENSION: $\varnothing 7.2'' \times 7.6'' \times 21.4'' + 98.4''$

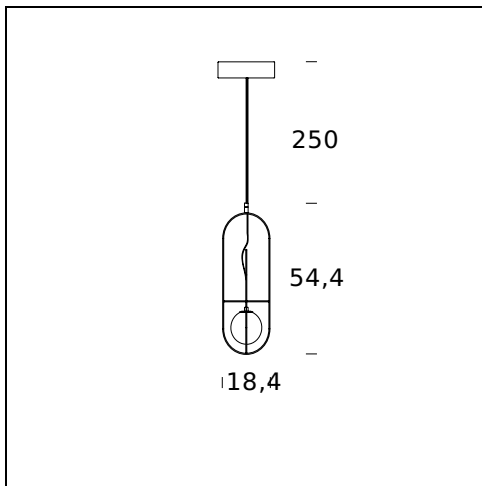
MATERIALS: Glass, metal

COLORS

● Black Chrome

● Gold

LIGHTING SOURCE: 12W LED (2700K, CRI>80, 1550 Lm)



MODEL NAME: Setareh

CODE: U4381..

DIMENSION: ø 7.2"×7.6"×21.4"+98.4"

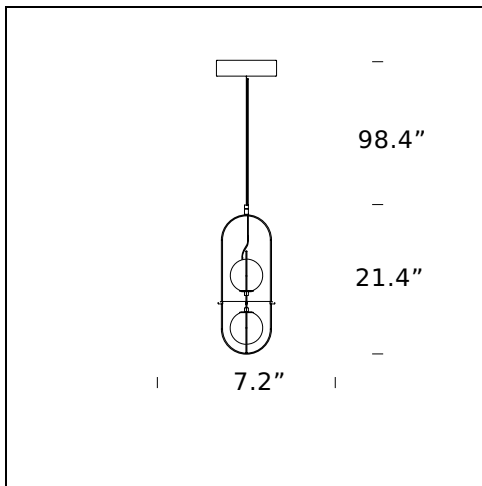
MATERIALS: Metal, glass

COLORS

● Black Chrome

● Gold

LIGHTING SOURCE: 12W LED (2700K, CRI>80, 1550 Lm)



MODEL NAME: Setareh 2

CODE: U4382..

DIMENSION: \varnothing 7.2"×7.6"×21.4"+98.4"

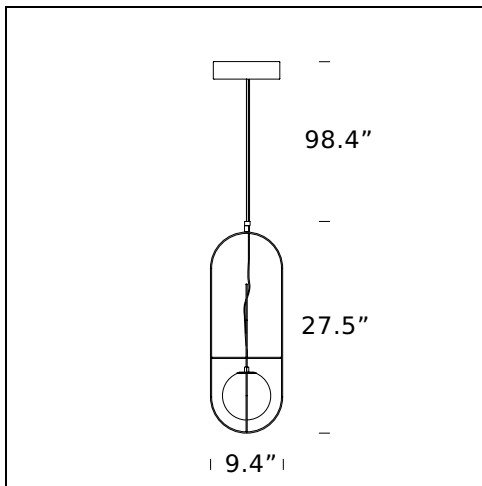
MATERIALS: Metal, glass

COLORS

● Black Chrome

● Gold

LIGHTING SOURCE: 2x8W LED (2700K, CRI>80, 2200 Lm)



MODEL NAME: Setareh

CODE: U4380/1..

DIMENSION: \varnothing 9.4"×9.8"×27.5"+98.4"

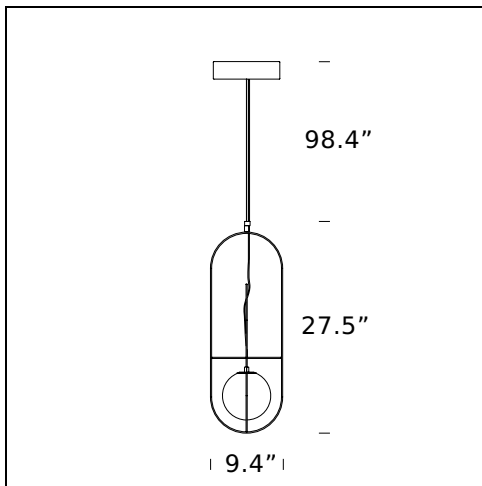
MATERIALS: Glass, metal

COLORS

● Black Chrome

● Gold

LIGHTING SOURCE: 17W LED (2700K, CRI>80, 2100 Lm)



MODEL NAME: Setareh

CODE: U4381/1..

DIMENSION: \varnothing 9.4"×9.8"×27.5"+98.4"

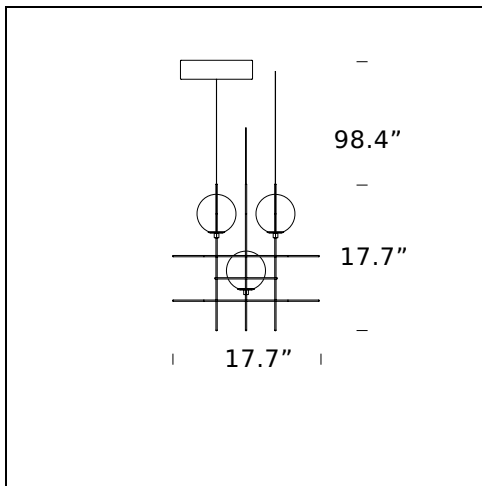
MATERIALS: Metal, glass

COLORS

● Black Chrome

● Gold

LIGHTING SOURCE: 17W LED (2700K, CRI>80, 2100 Lm)



MODEL NAME: Setareh 3

CODE: U4383..

DIMENSION: $\varnothing 17.7'' \times 17.7'' + 98.4''$

MATERIALS: Glass, metal

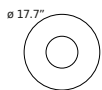
COLORS

 Black Chrome

 Gold

LIGHTING SOURCE: 3x6W LED (2700K, CRI>80, 2500 Lm)

ACCESSORIES



METAL DISK CODE - D4381/0

metal disk $\varnothing 17.7''$ black or white for model 4381..



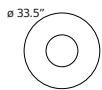
METAL DISK CODE - D4381..

metal disk $\varnothing 25.6''$ black or white for model 4381.. or 4382..



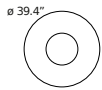
METAL DISK CODE - D4381/1..

metal disk $\varnothing 25.6''$ black or white for model 4381/1..



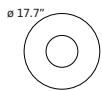
METAL DISK CODE - D4381/2..

metal disk Ø 33.5'' black or white for model 4381/1..



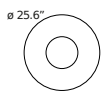
METAL DISK CODE - D4381/3..

metal disk ø 39.4'' black or white for model 4381/1..



GLASS DIFFUSER CODE - V4381/0..

glass diffuser ø 17.7'' black or white for model 4381..



GLASS DIFFUSER CODE - V4381..

glass diffuser ø 25.6'' black or white for model 4381..



GLASS DIFFUSER CODE - V4381/1..

glass diffuser ø 25.6'' black or white for model 4381/1..



GLASS DIFFUSER CODE - V4381/2..

glass diffuser ø 33.5'' black or white for model 4381/1..

Subject to technical modifications and modifications to content