

CHANDELIER

David Chipperfield, 2004

This spectacular lamp designed by David Chipperfield is inspired by those at the court of King Arthur. Available in two colors, in a single or double version with two concentric circles, it is a classy elegant lighting solution for any setting, even the most modern and minimal. New gold finishing, absence of tiges, 5 m length cables.



RELATED PRODUCTS

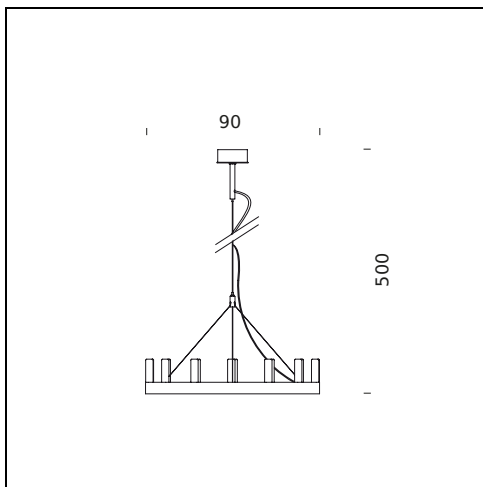


CHANDELIER DOUBLE

Suspension Lamp

TECHNICAL SHEET

Suspension lamp. Metal frame finish. Sandblasted borosilicate glass diffusers.



MODEL NAME: Chandelier

CODE: 5491..

DIMENSIONS: 90 x 500 cm

MATERIALS: Metal

COLORS

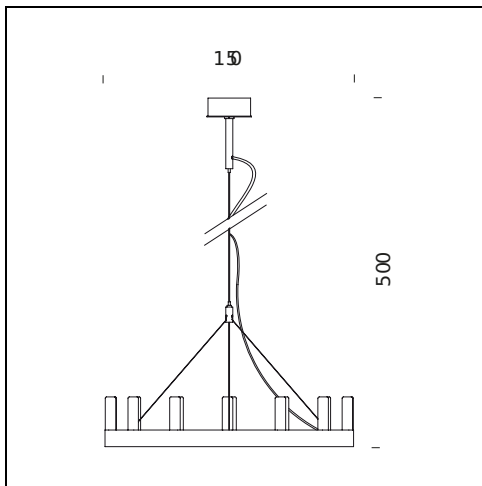
● Black - RAL Code: RAL 9005 Matt

● Gold

BULB: 14x40W (HA) E14 or 14x28W (HA) Eco Saver E14

CERTIFICATIONS AND SYMBOLS:





MODEL NAME: Chandelier

CODE: 5491/1..

DIMENSIONS: 150 x 500 cm

MATERIALS: Metal

COLORS

● Black - RAL Code: RAL 9005 Matt

● Gold

BULB: 19x40W (HA) E14 or 19x28W (HA) Eco Saver E14

CERTIFICATIONS AND SYMBOLS:



Subject to technical modifications and modifications to content