

FLÛTE, FLÛTE MAGNUM

Franco Raggi, 1999

A glass cone holds the chromed aluminum reflector, supported by three slender metal rods. Equilibrium and lightness for this family of lamps available in floor and wall versions, for indirect light emission, and in a hanging version, for direct focused light.



RELATED PRODUCTS



FLÛTE

Wall Lamp

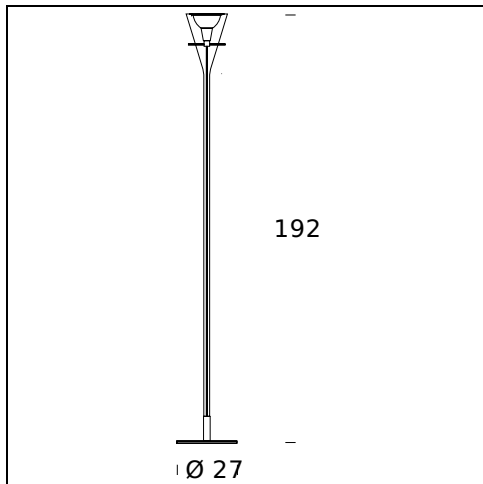


FLÛTE, FLÛTE MAGNUM

Suspension Lamp

TECHNICAL SHEET

Floor lamp with dimmer. Transparent borosilicate glass stem. Polished chromed aluminium reflector. Base and reflector support in chromed metal. Transparent power cable and dimmer



MODEL NAME: Flûte

CODE: 3300

DIMENSIONS: Ø 27 x 192 cm

MATERIALS: Glass, metal

BULB: 1x205W (HA) Eco Saver E27

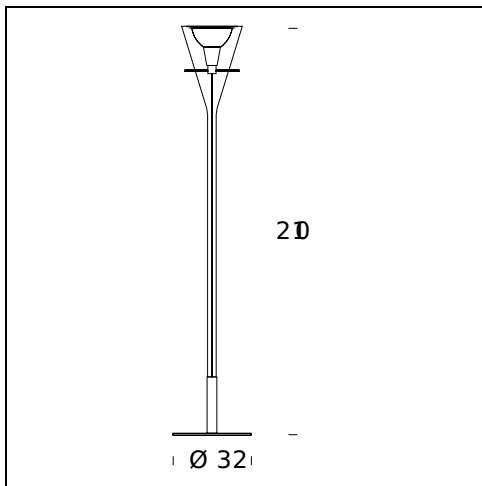
PLUG: Transparent

POWER CORD: Transparent

DIMMER: Dimmer

CERTIFICATIONS AND SYMBOLS:





MODEL NAME: Flûte Magnum

CODE: 3300/1

DIMENSIONS: Ø 32 x 210 cm

MATERIALS: Glass, metal

BULB: 1x400W (HA) Eco Saver R7s/115

PLUG: Transparent

POWER CORD: Transparent

DIMMER: Dimmer

CERTIFICATIONS AND SYMBOLS:



Subject to technical modifications and modifications to content