

CHANDELIER DOUBLE

David Chipperfield, 2004

This spectacular lamp designed by David Chipperfield is inspired by those at the court of King Arthur. Available in two colors, in a single or double version with two concentric circles, it is a classy elegant lighting solution for any setting, even the most modern and minimal.



RELATED PRODUCTS

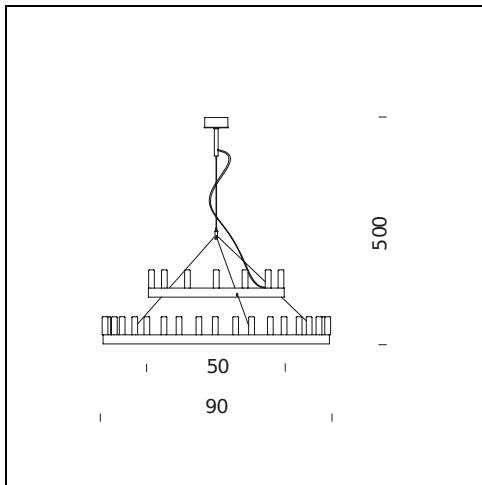


CHANDELIER

Suspension Lamp

TECHNICAL SHEET

Suspension lamp. Metal frame with gold aluminium or black (RAL 9005 matt) finish. Dual switching.



MODEL NAME: Chandelier Double

CODE: 5491/22..

DIMENSIONS: 50-90 + 500 cm

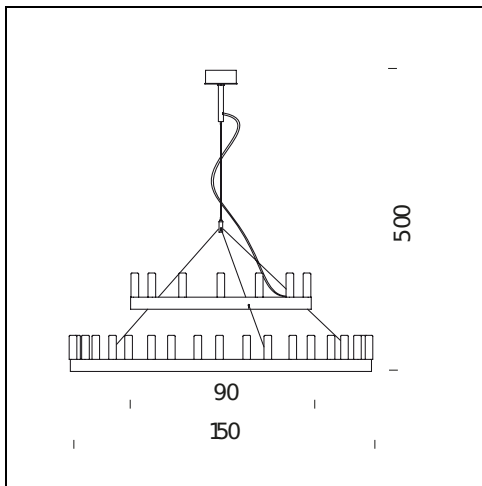
COLORS

- Black - RAL Code: RAL 9005 Matt
- Gold

BULB: 8×40W (HA) o/or 8×28W (HA) Eco Saver E14 + 14×40W (HA) o/or 14×28W (HA) Eco Saver E14

CERTIFICATIONS AND SYMBOLS:





MODEL NAME: Chandelier Double

CODE: 5491/33..

DIMENSIONS: 90 - 150 + 500 cm

COLORS

● Black - RAL Code: RAL 9005 Matt

● Gold

BULB: 14×40W (HA) o/or 14×28W (HA) Eco Saver E14 + 19×40W (HA) o/or 19×28W (HA) Eco Saver E14

CERTIFICATIONS AND SYMBOLS:



Subject to technical modifications and modifications to content