

LAMPARA

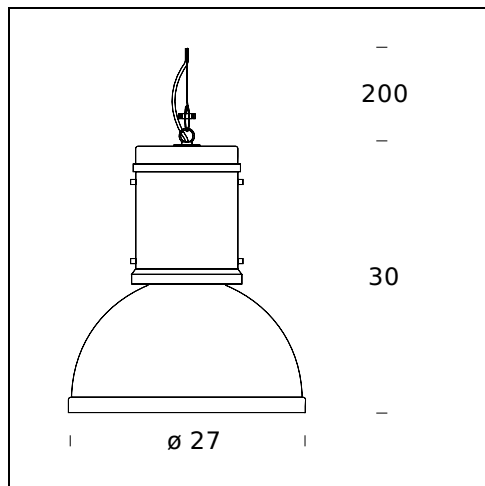
FontanaArte Design Lab, 1965

Reminiscent of industrial architecture, this hanging lamp has a natural or chromed aluminum shade and the reflector is painted white inside. New white color.



TECHNICAL SHEET

Suspension lamp. Frame in natural aluminium (RAL 9006). Reflector with white painted interior. Stainless steel suspension cable. Transparent power cable.



MODEL NAME: Lampara

CODE: 5000AN

DIMENSIONS: ø 27 × 30 + 200 cm

MATERIALS: Aluminium

COLORS

- Aluminum - RAL Code: RAL 9006 Semi Matt
- White

BULB: 1×60W (IN) or 1×42W (HA) Eco Saver E27

POWER CORD: Stainless steel

CERTIFICATIONS AND SYMBOLS:



MODEL NAME: Lampara

CODE: 5000/1AN

DIMENSIONS: ø 35 × 40 + 200 cm

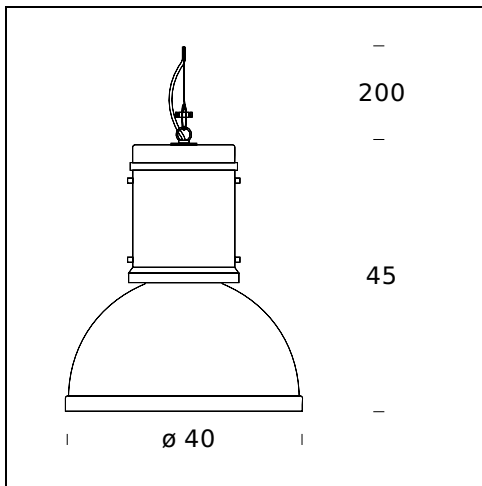
MATERIALS: Aluminium

COLORS

White

BULB: 1×105W (HA) Eco Saver E27

POWER CORD: Stainless steel



MODEL NAME: Lampara

CODE: 5000/2AN

DIMENSIONS: $\varnothing 40 \times 45 + 200$ cm

MATERIALS: Aluminium

COLORS

- Aluminum - RAL Code: RAL 9006 Semi Matt
- White

BULB: 1x140W (HA) Eco Saver E27

POWER CORD: Stainless steel

CERTIFICATIONS AND SYMBOLS:



Subject to technical modifications and modifications to content