

# CARTOCCIO

Pietro Chiesa, 1932

Extraordinary vases designed by Pietro Chiesa in 1932, made from hot folding of a sheet of glass. Cartoccio is available in natural or frosted glass. Manual production makes each one unique.



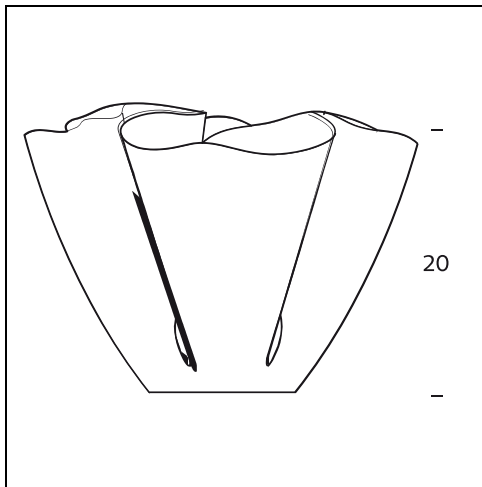
## RELATED PRODUCTS



## CARTOCCIOQ

## TECHNICAL SHEET

Glass vase. Available in natural glass either white or blue, in frosted glass either natural or white and blue.



**MODEL NAME:** Cartoccio

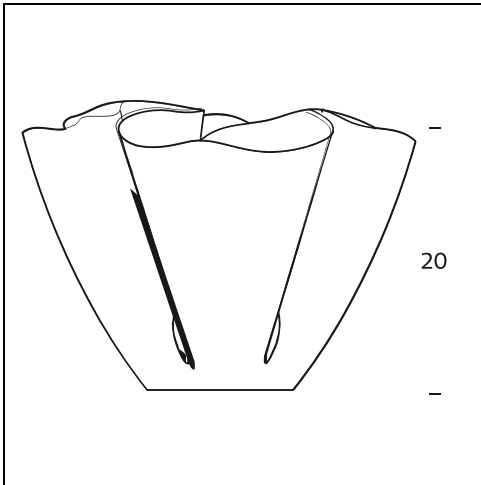
**CODE:** 2029VS

**DIMENSIONS:** h. 20 cm

**MATERIALS:** Satin glass

### COLORS

Satin



**MODEL NAME:** Cartoccio

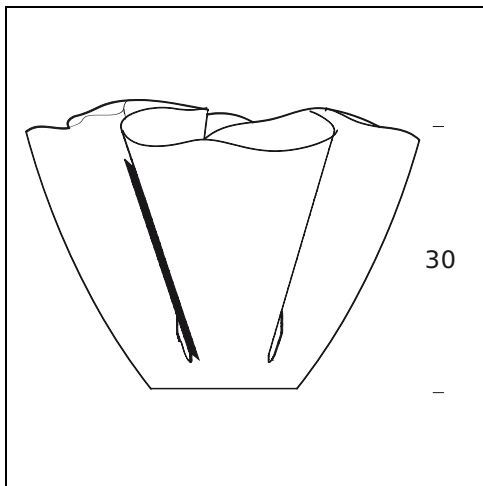
**CODE:** 2029VN/BL

**DIMENSIONS:** h. 20 cm

**MATERIALS:** Natural glass

**COLORS**

● Blue



**MODEL NAME:** Cartoccio

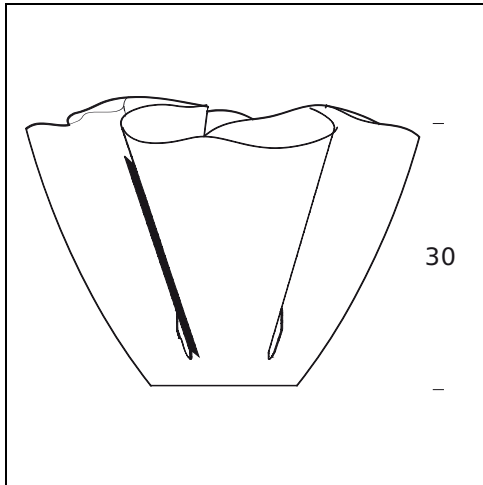
**CODE:** 2029/1VS

**DIMENSIONS:** h. 30 cm

**MATERIALS:** Satin glass

**COLORS**

Satin



**MODEL NAME:** Cartoccio

**CODE:** 2029/1VN/BL

**DIMENSIONS:** h. 30 cm

**MATERIALS:** Natural glass

**COLORS**

● Blue

Subject to technical modifications and modifications to content