

NOBI

Metis Lighting, 1992

In floor, wall and suspension versions, Nobi guarantees total practicality for innovative elegant design. The two bowl-shaped glass discs are held in position by a system of tiny springs and fastened to the metal frame by two pins. In this way the diffuser rotates on itself, directing its halogen beam as required.



RELATED PRODUCTS



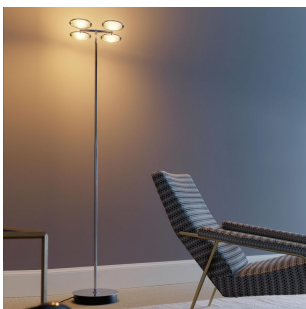
NOBI

Wall Lamp



NOBI

Suspension Lamp

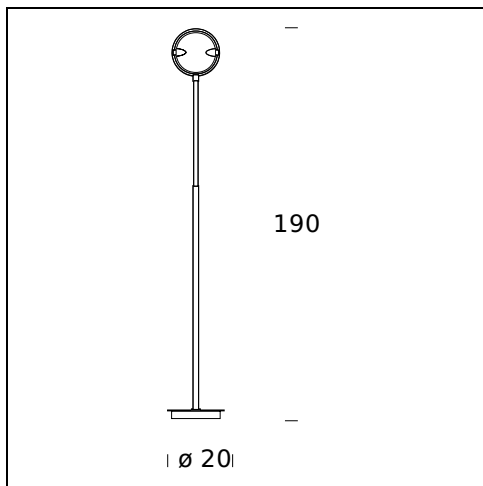


NOBI 4

Floor Lamp

TECHNICAL SHEET

Floor lamp with dimmer. Metal frame in chromed, satin nickel-plated or white finishes. Adjustable diffusers in frosted glass and aluminium reflector for indirect beam. Black power cable, dimmer and plug.



MODEL NAME: Nobi

CODE: 3026..

DIMENSIONS: Ø 20 x 190 cm

MATERIALS: Glass, metal

COLORS

- Chrome-Plated
- Satin Nickel-Plated
- White - RAL Code: RAL 9003 Matt

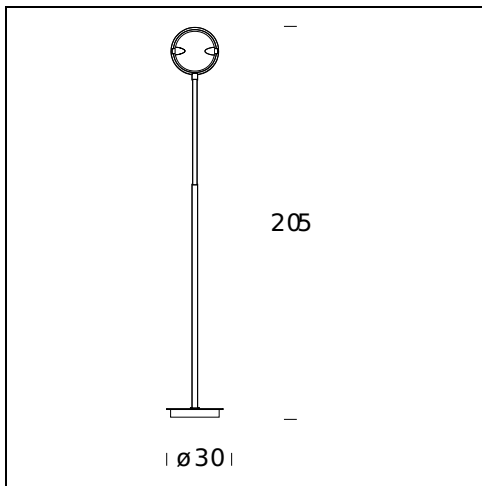
BULB: 1x120W (HA) Eco Saver R7s/80

PLUG: Black

POWER CORD: Black

DIMMER: Dimmer

CERTIFICATIONS AND SYMBOLS:



MODEL NAME: Nobi

CODE: 3392..

DIMENSIONS: Ø 30 x 205 cm

MATERIALS: Glass, metal

COLORS

- Chrome-Plated
- Satin Nickel-Plated
- White - RAL Code: RAL 9003 Matt

BULB: 1×230W (HA) Eco Saver R7s/115

PLUG: Black

POWER CORD: Black

DIMMER: Dimmer

CERTIFICATIONS AND SYMBOLS:



Subject to technical modifications and modifications to content