

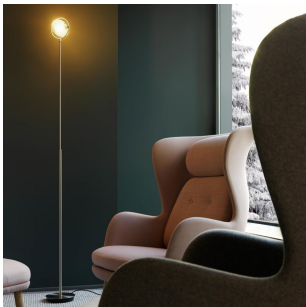
NOBI

Metis Lighting, 1992

In floor, wall and suspension versions, Nobi guarantees total practicality for innovative elegant design. The two bowl-shaped glass discs are held in position by a system of tiny springs and fastened to the metal frame by two pins. In this way the diffuser rotates on itself, directing its halogen beam as required.



RELATED PRODUCTS



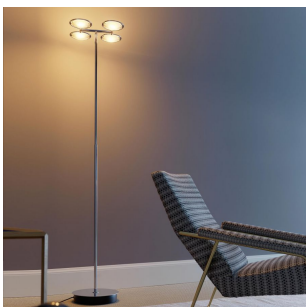
NOBI

Floor Lamp



NOBI

Wall Lamp

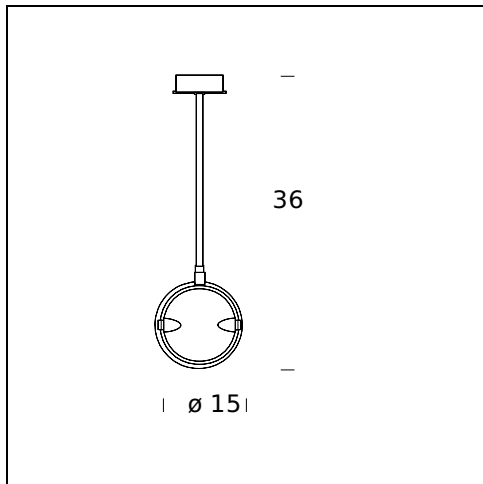


NOBI 4

Floor Lamp

TECHNICAL SHEET

Suspension lamp. Matte white BI (RAL 9003 matt), chromed CR or nickel-plated satined NS metal frame. Frosted glass diffusers. Anodized aluminium reflectors for indirect beam and spacer for electrical connections are also available.



MODEL NAME: Nobi

CODE: 3022..

DIMENSIONS: Ø 15 x 36 cm

MATERIALS: Glass, metal

COLORS

- Chrome-Plated
- Satin Nickel-Plated
- White - RAL Code: RAL 9003 Matt

BULB: 1×120W (HA) Eco Saver R7s/80

CERTIFICATIONS AND SYMBOLS:



Subject to technical modifications and modifications to content