

# PAROLA

Gae Aulenti, Piero Castiglioni, 1980

Designed by Gae Aulenti and Piero Castiglioni, the Parola lamp features three different kinds of glass working processes: opaline blown glass for the adjustable shade, natural glass for the stem and natural beveled crystal for the base. It is an exemplary model of technical integration between artisan and industrial skills.



## RELATED PRODUCTS



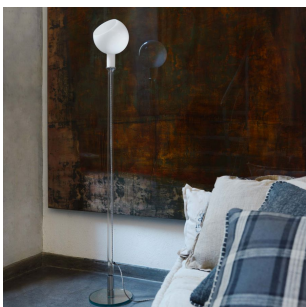
### PAROLA

*Wall Lamp*



### PAROLA

*Suspension Lamp*

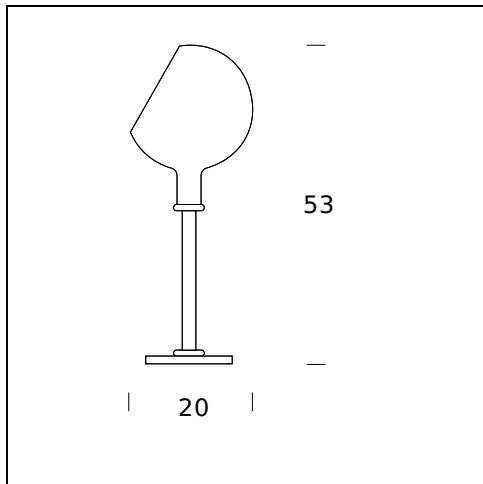


### PAROLA, PAROLONA

*Floor Lamp*

**TECHNICAL SHEET**

Table lamp with dimmer. Transparent glass base with transparent borosilicate glass stem. Diffuser in amber or white opaline blown glass. Braided fabric cable, black dimmer and switch.



**MODEL NAME:** Parola

**CODE:** M2658+V2689..

**DIMENSIONS:** ø 20 × 53 cm

**MATERIALS:** Glass

**COLORS**

● Amber

○ White

**BULB:** 1×60W (HA, LED) E14

**DIMMER:** Dimmer

**CERTIFICATIONS AND SYMBOLS:**

Subject to technical modifications and modifications to content