

SCINTILLA

Livio Castiglioni, Piero Castiglioni, 1972

The absolutely novel Scintilla system combines the essential versatility of a decorative lamp and a lighting capacity comparable to a technical system. The great success of this system persuaded the company to design a free-standing version in the early eighties, with the main structure fastened to the base and stem in metal.



RELATED PRODUCTS



SCINTILLA

Wall Lamp

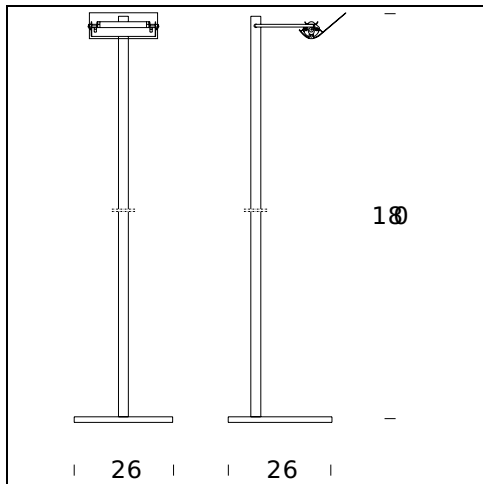


SCINTILLA

Suspension Lamp

TECHNICAL SHEET

Floor lamp with dimmer. Frame in chromed CR or satined nickel-plated NS metal. Chromed steel lamp holder. Anodized aluminium reflector. Braided black and white fabric cable, black dimmer and plug.



MODEL NAME: Scintilla

CODE: 2729..

DIMENSIONS: 26 × 26 × 180 cm

MATERIALS: Metal

COLORS

- Chrome-Plated
- Satin Nickel-Plated

BULB: 1×230W (HA) Eco Saver R7s/115

POWER CORD: Braided black

DIMMER: Dimmer

CERTIFICATIONS AND SYMBOLS:



Subject to technical modifications and modifications to content