

# SCINTILLA

Livio Castiglioni, Piero Castiglioni, 1972

The absolutely novel Scintilla system combines the essential versatility of a decorative lamp and a lighting capacity comparable to a technical system. The great success of this system persuaded the company to design a free-standing version in the early eighties, with the main structure fastened to the base and stem in metal.



## RELATED PRODUCTS



### SCINTILLA

*Floor Lamp*

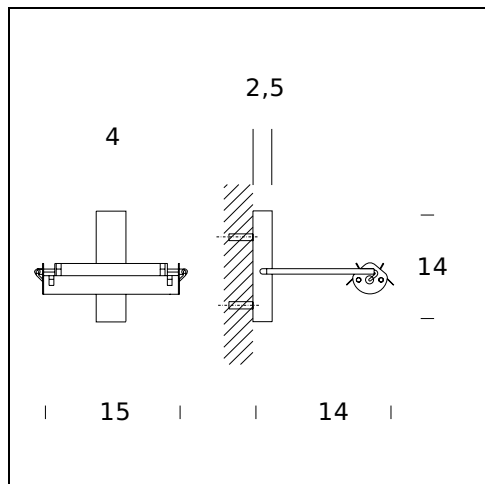


### SCINTILLA

*Suspension Lamp*

## TECHNICAL SHEET

Wall lamp. Chromed CR, satin nickel-plated NS or white-painted BI steel frame and wall bracket. Sandblasted transparent borosilicate glass shields.



**MODEL NAME:** Scintilla AT1P150

**CODE:** AT1P150..

**DIMENSIONS:** 15 x 14 x 14 cm

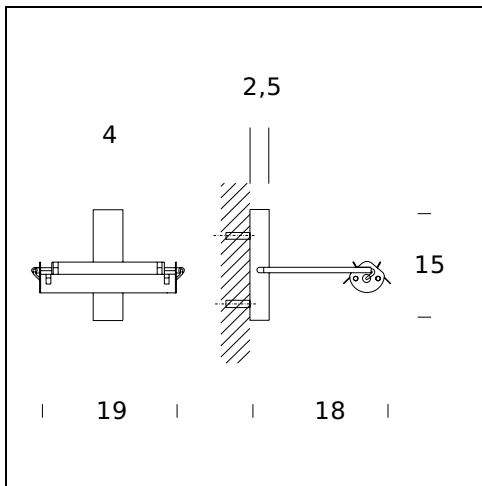
### COLORS

- Chrome-Plated
- Satin Nickel-Plated

**BULB:** 1x120W (HA) Eco Saver R7s/80

### CERTIFICATIONS AND SYMBOLS:





**MODEL NAME:** Scintilla AT1P300

**CODE:** AT1P300..

**DIMENSIONS:** 19 x 18 x 15 cm

#### COLORS

- Chrome-Plated
- Satin Nickel-Plated
- White

**BULB:** 1x230W (HA) Eco Saver R7s/115

#### CERTIFICATIONS AND SYMBOLS:



#### ACCESSORIES

##### REFLECTOR CODE - RAT/P150..

Reflector 15x6x13 cm

##### REFLECTOR CODE - RAT/P300..

Reflector 18x6,5x13 cm

Subject to technical modifications and modifications to content