

# SCINTILLA

Livio Castiglioni, Piero Castiglioni, 1972

The absolutely novel Scintilla system combines the essential versatility of a decorative lamp and a lighting capacity comparable to a technical system. The great success of this system persuaded the company to design a free-standing version in the early eighties, with the main structure fastened to the base and stem in metal.



## RELATED PRODUCTS



### SCINTILLA

*Floor Lamp*

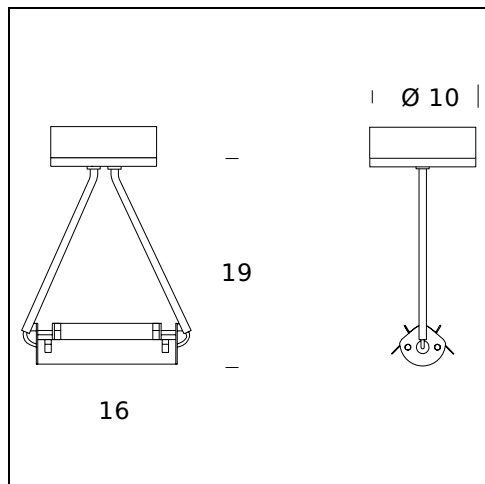


### SCINTILLA

*Wall Lamp*

## TECHNICAL SHEET

Suspension lamp. Chromed CR, satined nickel-plated NS or white BI finish frame. The lamp features transparent sandblasted borosilicate glass shields and a spacer for electrical connections. Optional reflector for indirect beam.



**MODEL NAME:** Scintilla AT1S150

**CODE:** AT1S150..

**DIMENSIONS:** 16 x 4,5 x 19 cm

**MATERIALS:** Metal

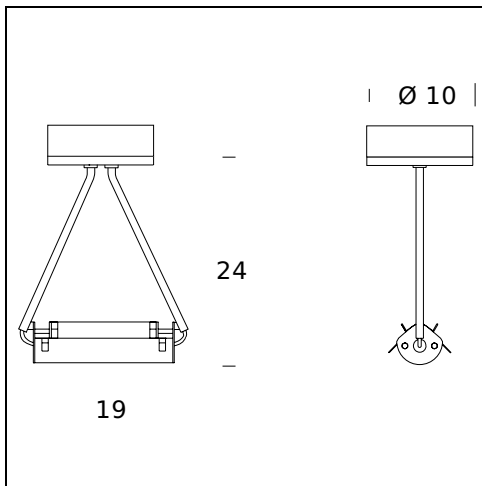
### COLORS

- Chrome-Plated
- Satin Nickel-Plated

**BULB:** 1×120W (HA) Eco Saver R7s/80

**CERTIFICATIONS AND SYMBOLS:**





**MODEL NAME:** Scintilla AT1S300

**CODE:** AT1S300..

**DIMENSIONS:** 19 x 4,5 x 24 cm

**MATERIALS:** Metal

**COLORS**

- Chrome-Plated
- Satin Nickel-Plated

**BULB:** 1×230W (HA) Eco Saver R7s/115

**CERTIFICATIONS AND SYMBOLS:**



**ACCESSORIES**

**REFLECTOR CODE - RAT/F/S150**

Reflector 14x6,5x16 cm

**REFLECTOR CODE - RAT/F/S**

Reflector 18x6,5x13 cm

Subject to technical modifications and modifications to content