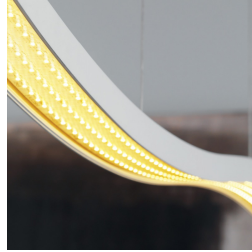


SERPENTINE

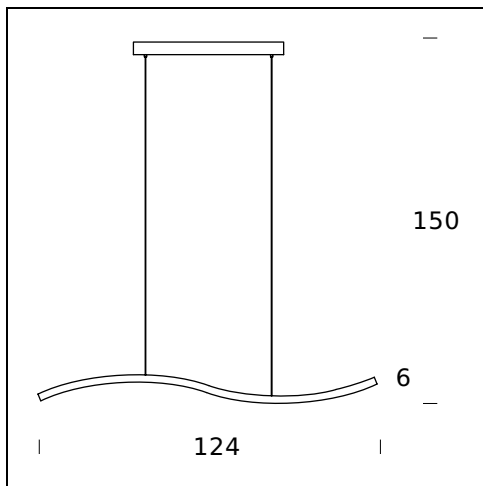
Gabi Peretto, 2011

A luminous wave floating in space and bringing life to unprecedented lighting effects. 364 Leds in the underside of the lamp guarantee a surprising result in terms of light and movement.



TECHNICAL SHEET

Suspension lamp. Curved extruded aluminium frame with white finish. Transparent lengthadjustable power/ suspension cables housed in raceway; keyhole body balancing system. Methacrylate pinwale shield. Direct beam.



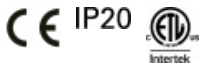
MODEL NAME: Serpentine

CODE: 4175BI

DIMENSIONS: 124 × 6 + 150 cm

MATERIALS: Metal, Methacrylate

BULB: 364 LED - 23W (3500 K, CRI 80, 2090 Lm)

CERTIFICATIONS AND SYMBOLS:

Subject to technical modifications and modifications to content