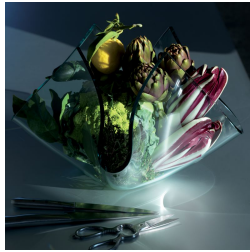


# CARTOCCIOQ

Pietro Chiesa, 1932

Extraordinary vases designed by Pietro Chiesa in 1932, made from hot folding of a sheet of glass. Cartoccio is available in natural or frosted glass (white and blue) or printed. Manual production makes each one unique.



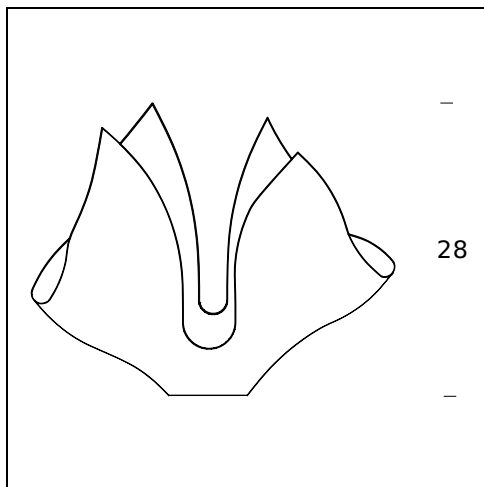
## RELATED PRODUCTS



## CARTOCCIO

## TECHNICAL SHEET

Vase in transparent glass.



**MODEL NAME:** Cartoccio Q

**CODE:** 2029Q

**DIMENSIONS:** h. 28 cm

**MATERIALS:** Glass

Subject to technical modifications and modifications to content