

TOUR

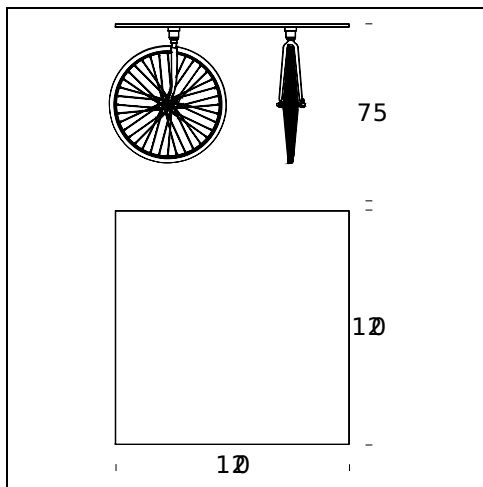
Gae Aulenti, 1993

Tour is the evolution of the Table with Wheels. Again with wheels, but in this case taken from bicycles, it was a surprising piece. The beveled float glass top, 15 mm thick, rests on 4 pivoting wheels attached to four stainless steel plates. The forks are chromed and the wheels are covered in rubber.



TECHNICAL SHEET

Table with 15 mm cut float glass top. Pivoting wheels are attached to the top by four stainless steel plates. Chromed forks. Solid rubber wheels.



MODEL NAME: Tour

CODE: 3005

DIMENSIONS: 120 x 120 x 75 cm

MATERIALS: Glass

Subject to technical modifications and modifications to content