

SILLABA

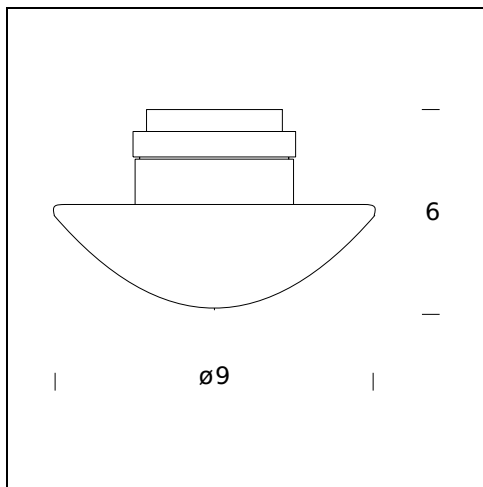
Piero Castiglioni, 1988

Designed for either wall or ceiling installation, Sillaba combines discretion and pureness, furnishing any room with its minimal presence.



TECHNICAL SHEET

Low voltage wall and ceiling lamp. High heat-resistant technopolymer frame. Heatresistant sandblasted glass diffuser.



MODEL NAME: Sillaba

CODE: 2775/2G

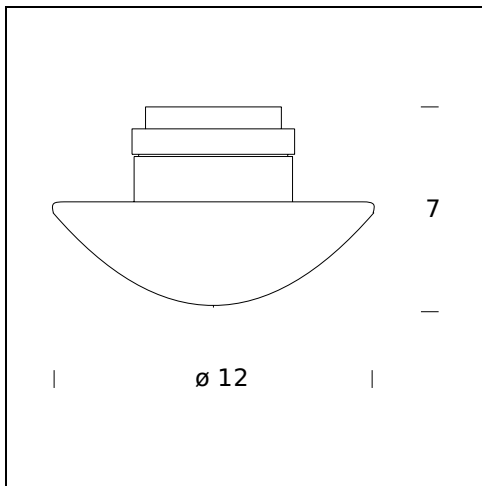
DIMENSIONS: $\varnothing 9 \times 6$ cm

MATERIALS: Glass, metal

BULB: 1×20W (HA) or 1×14W (HA) Eco Saver G4 12V (Ballast 12V not supplied)

CERTIFICATIONS AND SYMBOLS:





MODEL NAME: Sillaba

CODE: 2775/5G

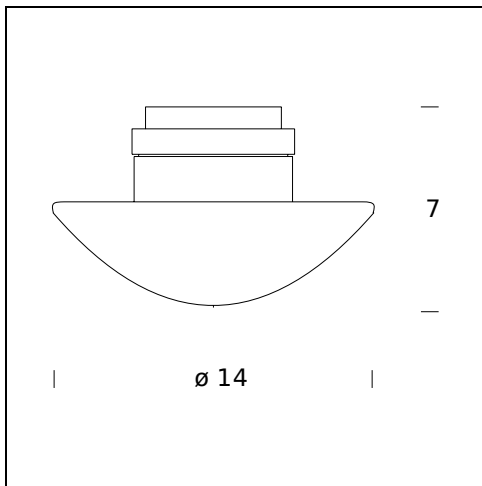
DIMENSIONS: 11,2 x 7

MATERIALS: Glass, metal

BULB: 1×50W (HA) or 1×35W (HA) Eco Saver GY6.35 12V (Ballast 12V not supplied)

CERTIFICATIONS AND SYMBOLS:





MODEL NAME: Sillaba

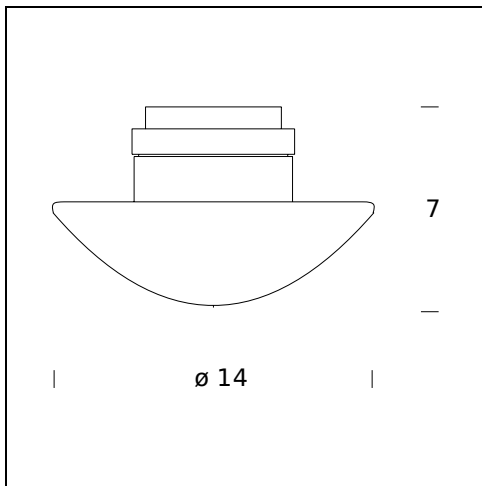
CODE: 2775/7/23G

DIMENSIONS: \varnothing 14 x 9 cm

BULB: 1x60W (HA) or 1x48W (HA) Eco Saver G9

CERTIFICATIONS AND SYMBOLS:





MODEL NAME: Sillaba

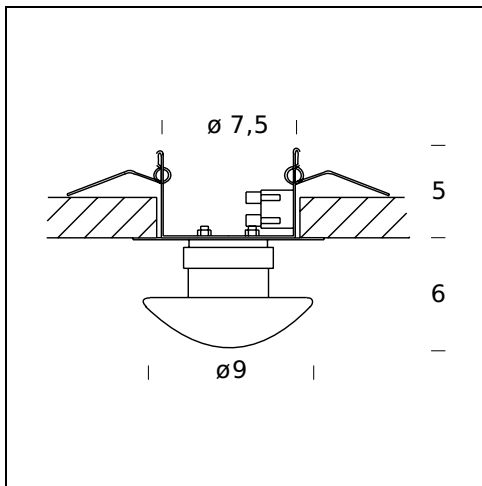
CODE: 4221/7/23G

DIMENSIONS: ø 14 x 9 cm

BULB: 1 LED - 8W (3000 K, CRI 80, 650 Lm)

CERTIFICATIONS AND SYMBOLS:





MODEL NAME: Sillaba, recessed lamp

CODE: 2969/2G

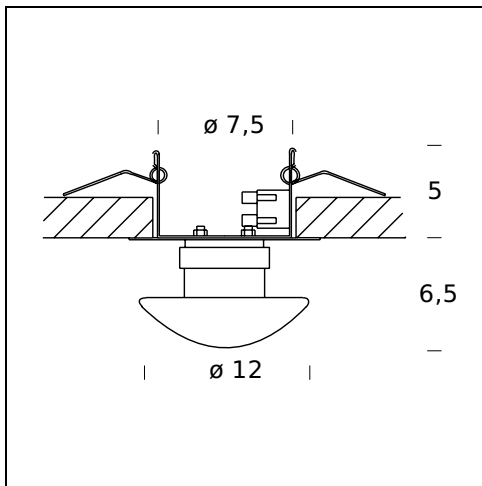
DIMENSIONS: $\varnothing 9 \times 6$ cm

MATERIALS: Glass, metal

BULB: 1x20W (HA) G4 12V or 1x14W (HA) Eco Saver G4 12V (Ballast 12V not supplied)

CERTIFICATIONS AND SYMBOLS:

CE IP40 *Classe III*



MODEL NAME: Sillaba, recessed lamp

CODE: 2969/5G

DIMENSIONS: $\varnothing 12 \times 6,5$ cm

MATERIALS: Glass, metal

BULB: 1×50W (HA) GY6.35 12V or 1×35W (HA) Eco Saver GY6.35 12V (Ballast 12V not supplied)

CERTIFICATIONS AND SYMBOLS:



Subject to technical modifications and modifications to content