

# VELO

Franco Raggi, 1988

A slim, almost ethereal sheet of suspended glass, supported by aluminum clamps hooked onto steel wire ties. An essential shape: a rectangular screen with sandblasted glass at the centre to prevent glare. The concept behind Velo was to subtract weight, matter and form to achieve an aesthetic result of painstaking stylistic consistency.



## RELATED PRODUCTS

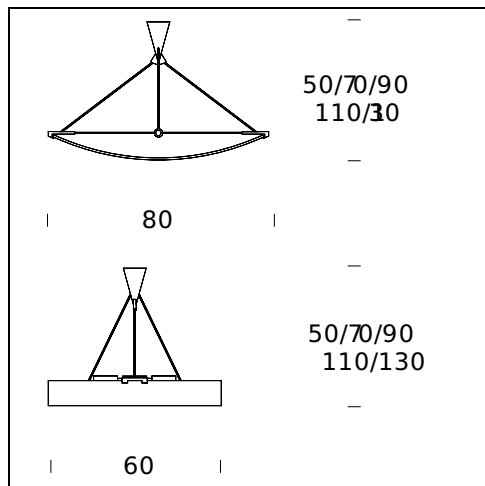


## VELO

*Wall Lamp*

## TECHNICAL SHEET

Suspension lamp. Tempered, sandblasted, 3mm-thick curved glass diffuser. Halogen bulb shield in sandblasted borosilicate glass. Die-cast chromed aluminium canopy and hooks. Polished brushed steel rods.



**MODEL NAME:** Velo

**CODE:** 2791/..

**DIMENSIONS:** 80 x 60 - 50 / 70 / 90 cm

**MATERIALS:** Glass

**BULB:** 1x230W (HA) Eco Saver R7s/115

**POWER CORD:** Aluminium

**CERTIFICATIONS AND SYMBOLS:**



Subject to technical modifications and modifications to content