

SLOT

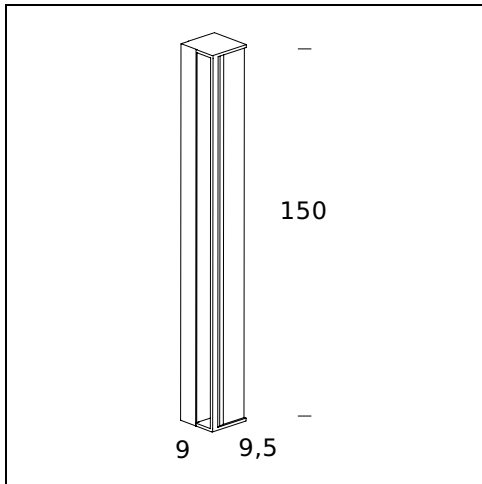
David Chipperfield, 2005

A series of recessed lamps for walls or ceilings that give indirect light. The structure is in matt white epoxy powder-coated metal and houses one or more dimmable fluorescent lamps. Its essential design creates a luminous effect similar to a blade of light on the wall.



TECHNICAL SHEET

Series of recessed wall or ceiling lamps for indirect light emission. Matte white epoxy powder-coated metal frame housing fluorescent dimmable bulbs. A cover held in place by neodymium magnets makes the fixture easy to assemble and maintain. The minimal design creates a lighting effect similar to a spotlight beam on a wall. This makes Slot especially suitable for private and public spaces that require non-invasive yet decorative lighting effects. Slot fits a dimmable electronic power supply (1-10V) and can be mounted with or without its housing (required for plasterboard false ceilings). For correct installation the lamp includes a 4mm-slit on all 4 sides.



MODEL NAME: Slot

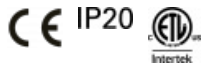
CODE: 3749/3

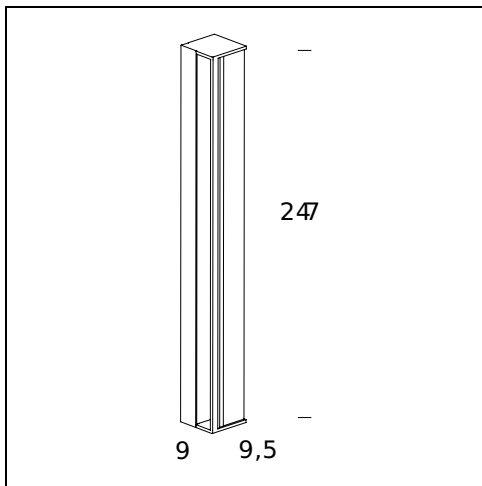
DIMENSIONS: 9,5 x 9,5 x 151 cm

MATERIALS: Metal

BULB: 1×35W (FL) G5 FH or 1×49W (FL) G5 FQ or 1×80W (FL) G5 FQ

CERTIFICATIONS AND SYMBOLS:





MODEL NAME: Slot

CODE: 3749/4

DIMENSIONS: 9,5 x 9,5 x 247 cm

MATERIALS: Metal

BULB: 1×35W (FL) G5 FH or 1×49W (FL)G5 FQ or 1×80W (FL) G5 FQ + 1×28W (FL) FH or 1×54W (FL)G5 FQ

CERTIFICATIONS AND SYMBOLS:



COMPONENTS

HOUSING FOR MODEL 3749/2 CODE - 3750/2

Housing for plasterboard 10x10,5x121 cm

HOUSING FOR MODEL 3749/2 CODE - 3862/2

Housing for concrete wall 10x10,5x121 cm

HOUSING FOR MODEL 3749/3 CODE - 3750/3

Housing for plasterboard 10x10,5x151 cm

HOUSING FOR MODEL 3749/4 CODE - 3862/3

Housing for concrete wall 10X10,5X151 cm

HOUSING FOR MODEL 3749/4 CODE - 3862/4

Housing for concrete wall 10x10,5x248 cm

HOUSING FOR MODEL 3749/4 CODE - 3862/4

Housing for concrete wall 10x10,5x248 cm

Subject to technical modifications and modifications to content