

PAROLA, PAROLONA

Gae Aulenti, Piero Castiglioni, 1980

Designed by Gae Aulenti and Piero Castiglioni, the Parola lamp features three different kinds of glass working processes: opaline blown glass for the adjustable shade, natural glass for the stem and natural beveled crystal for the base. It is an exemplary model of technical integration between artisan and industrial skills.



RELATED PRODUCTS



PAROLA

Suspension Lamp



PAROLA

Wall Lamp

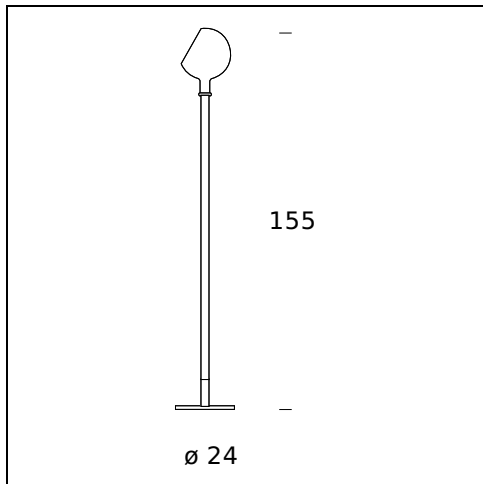


PAROLA

Table Lamp

TECHNICAL SHEET

Floor lamp with dimmer. Transparent cut glass base. Borosilicate glass stem. Amber or white opaline blown glass diffuser. Braided black and white fabric cable, black dimmer and plug.



MODEL NAME: Parola

CODE: M2659 + V2689...

DIMENSIONS: Ø 24 x 155 cm

MATERIALS: Glass

COLORS

● Amber

○ White

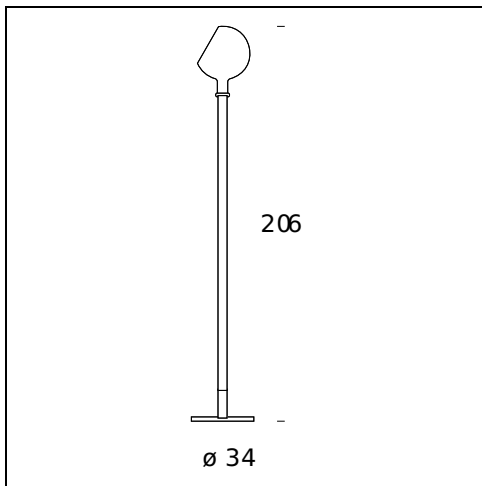
BULB: 1×60W (HA, LED) E14

PLUG: Black

POWER CORD: Braided black and white fabric cable

DIMMER: Dimmer

CERTIFICATIONS AND SYMBOLS:



MODEL NAME: Parolona

CODE: M2751 + V2751...

DIMENSIONS: Ø 34 x 206 cm

MATERIALS: Glass

COLORS

○ White

BULB: 1×60W (HA, LED) E14

PLUG: Black

POWER CORD: Braided black and white fabric cable

DIMMER: Dimmer

CERTIFICATIONS AND SYMBOLS:

CE EAC IP20

Subject to technical modifications and modifications to content