

EQUATORE

Gabriele e Oscar Buratti, 2017

Equatore is a contemporary reinterpretation of the classic lamp with a glass shade. While the traditional abat-jour uses the shade to contain the light source within, in this family of lamps the shade is paradoxically and suggestively empty, with the light being generated by two luminous discs placed inside a central metal band, visible on the shade, that evokes the line of the equator. The light produced by the Leds, thanks to internal screens arranged in layers, is distributed regularly across the surface of the discs, magically illuminating them. The lower disk directs the light output downward, the upper one illuminates the glass cap for a soft, diffused light. Available in table, floor and ceiling models, in two sizes and four colors.



RELATED PRODUCTS



EQUATORE

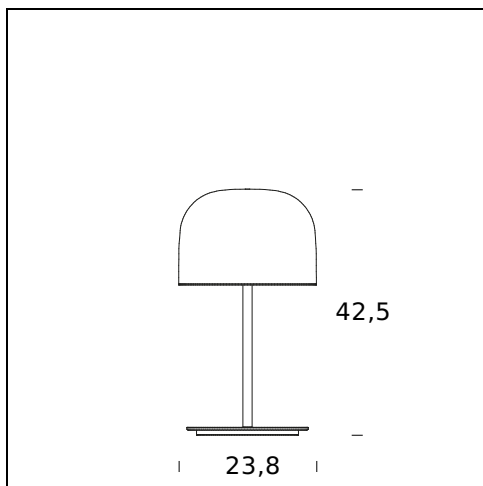
Floor Lamp



EQUATORE

Suspension Lamp

TECHNICAL SHEET



MODEL NAME: Equatore

CODE: 4389/0..

DIMENSIONS: Ø 23,8 x 42,5

MATERIALS: Glass, metal

COLORS

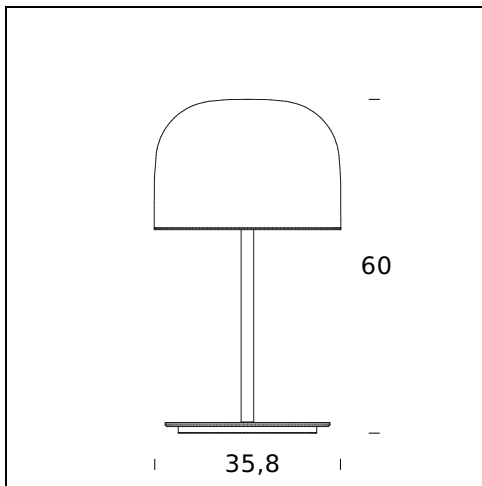
- Black Chrome
- Chrome
- Copper/Pink
- Gold

BULB: 25W Led (2700K, CRI>90, Lumen 1770)

DIMMER: Dimmer

CERTIFICATIONS AND SYMBOLS:

CE IP20 *Classe II*



MODEL NAME: Equatore

CODE: 4389..

DIMENSIONS: Ø 35,8 x 60

MATERIALS: Glass, metal

COLORS

- Black Chrome
- Chrome
- Copper/Pink
- Gold

BULB: 40W Led (2700K, CRI>90, Lumen 2790)

DIMMER: Dimmer

CERTIFICATIONS AND SYMBOLS:



Subject to technical modifications and modifications to content