

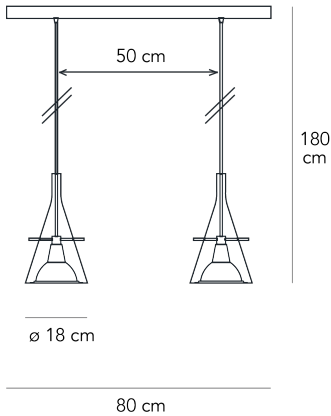


FLÛTE MEDIUM

Franco Raggi, 1999

A glass cone holds the chromed aluminum reflector, supported by three slender metal rods. Equilibrium and lightness for this family of lamps available in floor and wall versions, for indirect light emission, and in a hanging version, for direct focused light.

Suspension lamp with direct light, phase cut dimmer. Two diffusers made of transparent borosilicate glass. Reflectors made of glossy chromed aluminium. Reflectors support made of chromed metal. Transparent power cable. Bright anodised aluminum raceway. Integrated led.



MADE IN

IT

ALIMENTATION CABLE

Transparent

DIMMER

Dimmable

CERTIFICATIONS

CE **IP20**

COLOR



MATERIAL DESCRIPTION

glass, galvanized metal

COLOR DESCRIPTION SKU

transparent, chrome

GROUP TENSION

Integrated Led

ENERGY CLASS

A++ >> A

RECOMMENDED SOURCE

LED 2x10W (2700K, CRI 80, 1250Lm)

SKU

F333785550TCLE