

Roberto Menghi, 1968

Cod. 3644

Maximum power: **1x75W G9**

Tension: **120V**

Use only type T SHIELED

Cod. 3644/1

Maximum power: **1x150W E26**

Tension: **120V**

Use only type T SHIELED

CAUTION :

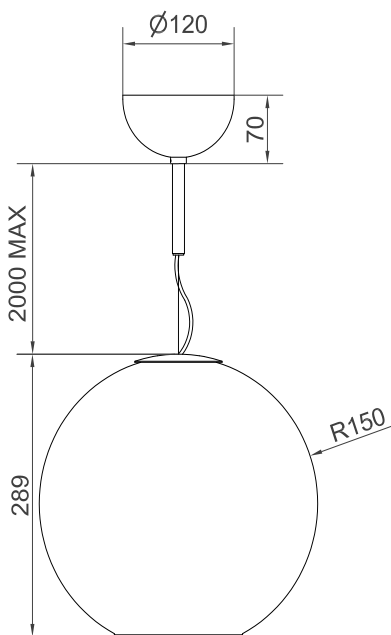
Disconnect current prior to any assembling or repair.

To adjust the lamp length shorten the steel cable.
Before making connections, realize a strain relief by a UL knot between the junction box and the junction box cover.

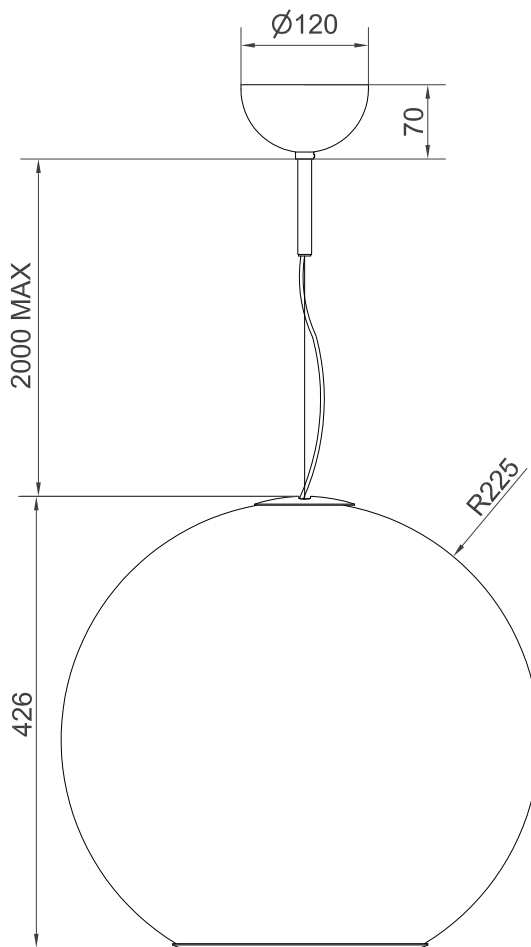
Make the connections (splices) by connecting the wires between junction box and the junction box cover.
Fix the junction box cover and the cross bar.

Hang the fixture on the hook that is on the cross bar, as show in the figure (page 2).

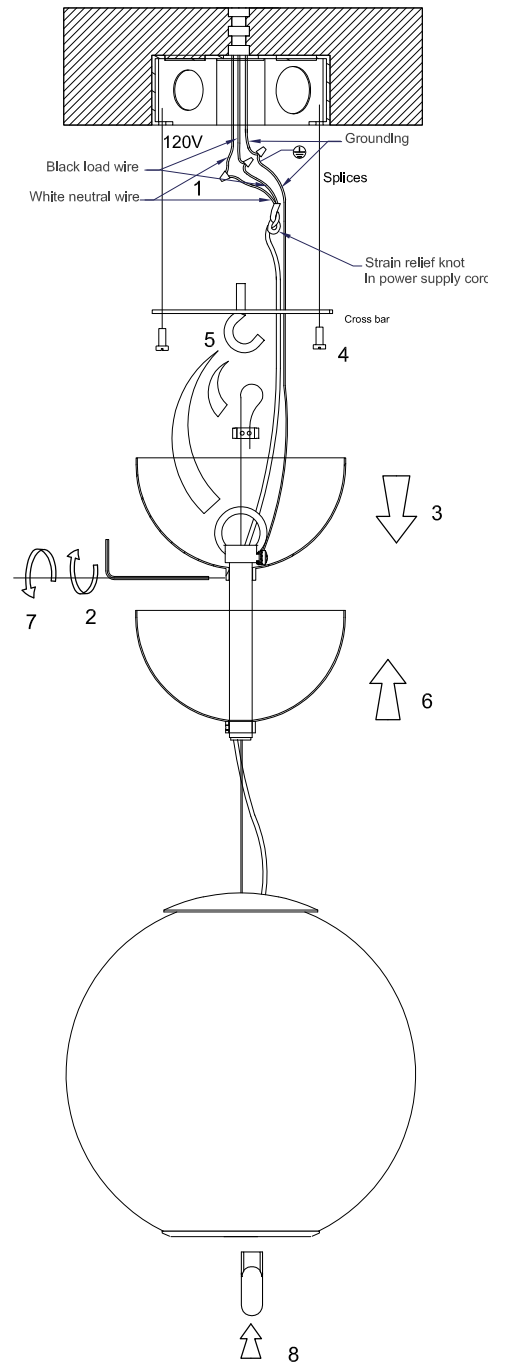
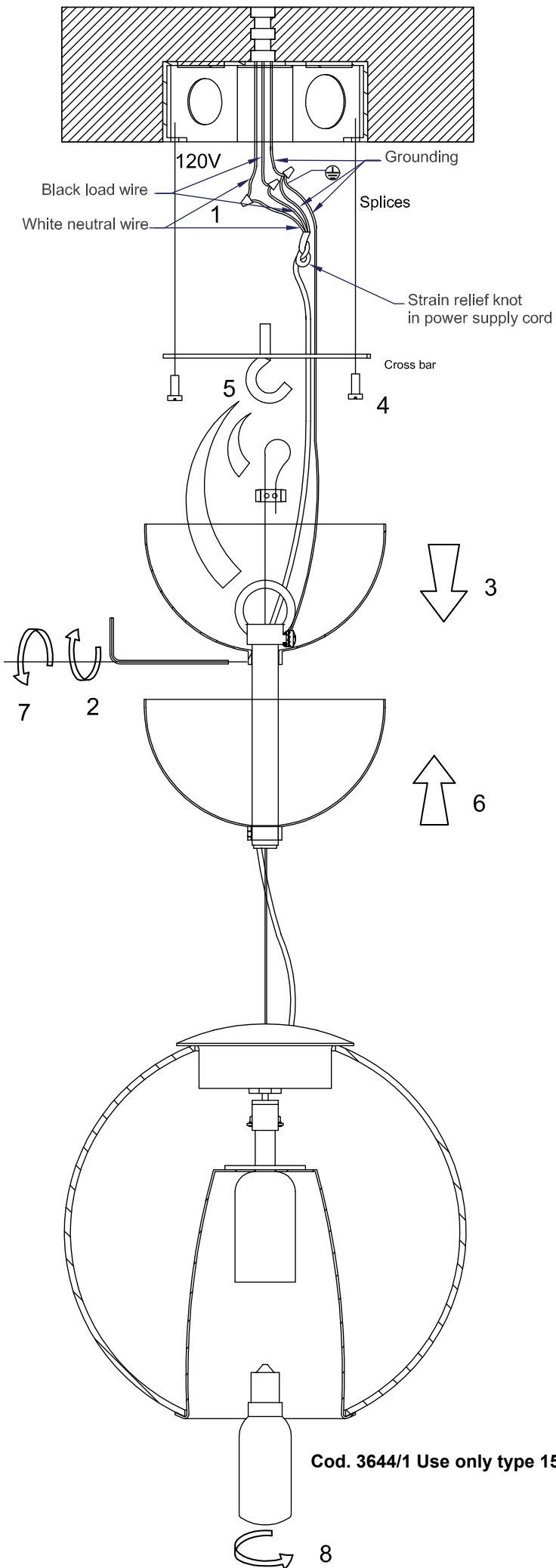
Close the metal canopy cover fixing it with the screw.



Cod. 3644



Cod. 3644/1



Cod. 3644 Use only type 75W T SHIELED

Cod. 3644/1 Use only type 150W T SHIELED