

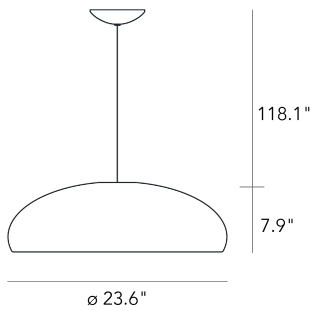


## PANGEN MEDIUM

FontanaArte, 2012

This lampshade is a fluid, minimal dome shape, its lacquer finish and modern colors ensuring surprising lighting. Available in suspension and ceiling mounted versions.

Suspension lamp with direct and dimmable light. Top diffuser made of painted metal. Bottom diffuser made of opaline polycarbonate. Transparent power cable. Ceiling rose in chromed polycarbonate. Bulb not included.



### MADE IN

IT

### ALIMENTATION CABLE

Trasparent

### DIMMER

Dimmable

### CERTIFICATIONS



### COLOR



### MATERIAL DESCRIPTION

polymer, metal

### COLOR DESCRIPTION SKU

black

### GROUP TENSION

Bulb

### RECOMMENDED SOURCE

LED/HA/FL 3× max 42W E26

### SKU

F419685350NENU